



7-211 Hinge Pr04 180°



Lift-off, for surface mounted door, stainless steel AISI 316

Advantages

- Elegant 180° corner hinge for surface mounted doors.
- 180° Opening angle.
- Screw-on.
- Lift-off.
- RH or LH application.
- Screws M6 are not included.

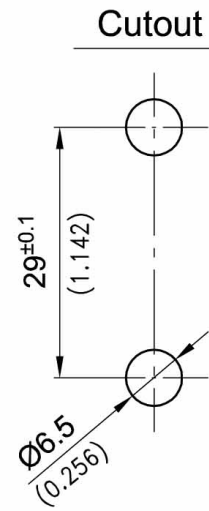
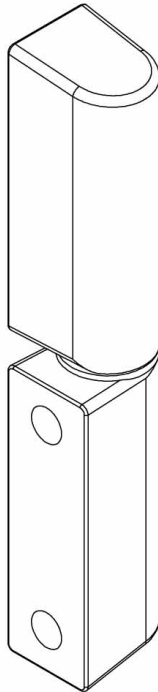
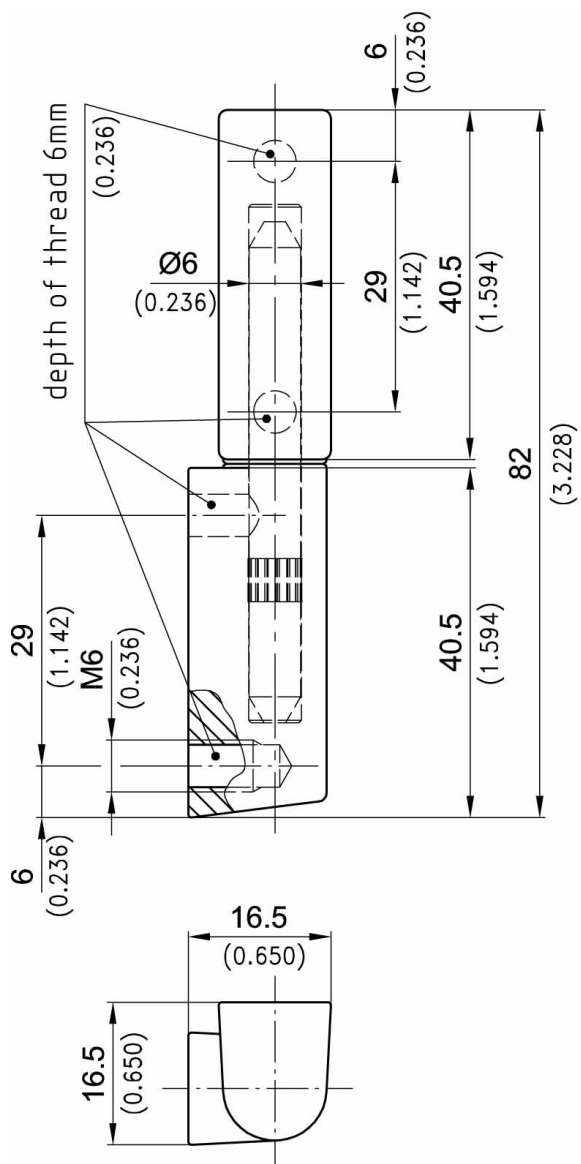
Materials

- **Corner hinge: stainless steel AISI 316, satin polished**
- **Pin: stainless steel**



Corner Hinge

Part Number	Pin version	Material pin	Installation type
224-9201.00-00000	pressed in	stainless steel AISI 316	screw-on



Example of application

