

7-164SL Concealed Hinge Pr03 SNAP-LINE 130°



door bending 25mm, for surface mounted door, door-part screw-on, lift-off, stainless steel

Advantages

- 130° Hinge SNAP-LINE, concealed, for H.D. Applications.
- RH or LH application.
- By pulling the pin back the door can be removed forward.
- The pin engages to the wire springs at the frame-part and so it is captive.
- Depending on the shown options, the captive pin is pre-assembled from the top or upside-down.
- Installation by a simple push into the cutout.
- The O-ring for IP65 DIN EN 60529 is included.
- The oblong hole allows vertical adjustment ± 5 mm of the door.
- Zinc die version with removable door-part: refer to product system 4-124SL.
- Zinc die version with door-part for quick push-on installation: refer to product system 4-125SL.
- 130° Opening angle.

Materials

- **Frame-part:** stainless steel AISI 316
- **Door-part:** stainless steel AISI 316
- **Pin:** stainless steel AISI 304
- **Snap wedges:** stainless steel
- **O-Ring:** NBR, black



Hinge, option 1: Door LH, pin bottom / Door RH, pin top

Part Number	Clamping range	Pin version	Installation type
443-9002.00-20015	1,2 - 1,7 mm	captive	tool-less
443-9002.00-20020	1,7 - 2,2 mm	captive	tool-less
443-9002.00-20025	2,2 - 2,7 mm	captive	tool-less
443-9002.00-20030	2,7 - 3,2 mm	captive	tool-less

Hinge option 2: Door LH, pin top / Door RH, pin bottom

Part Number	Clamping range	Pin version	Installation type
443-9002.00-10015	1,2 - 1,7 mm	captive	tool-less
443-9002.00-10020	1,7 - 2,2 mm	captive	tool-less
443-9002.00-10025	2,2 - 2,7 mm	captive	tool-less
443-9002.00-10030	2,7 - 3,2 mm	captive	tool-less

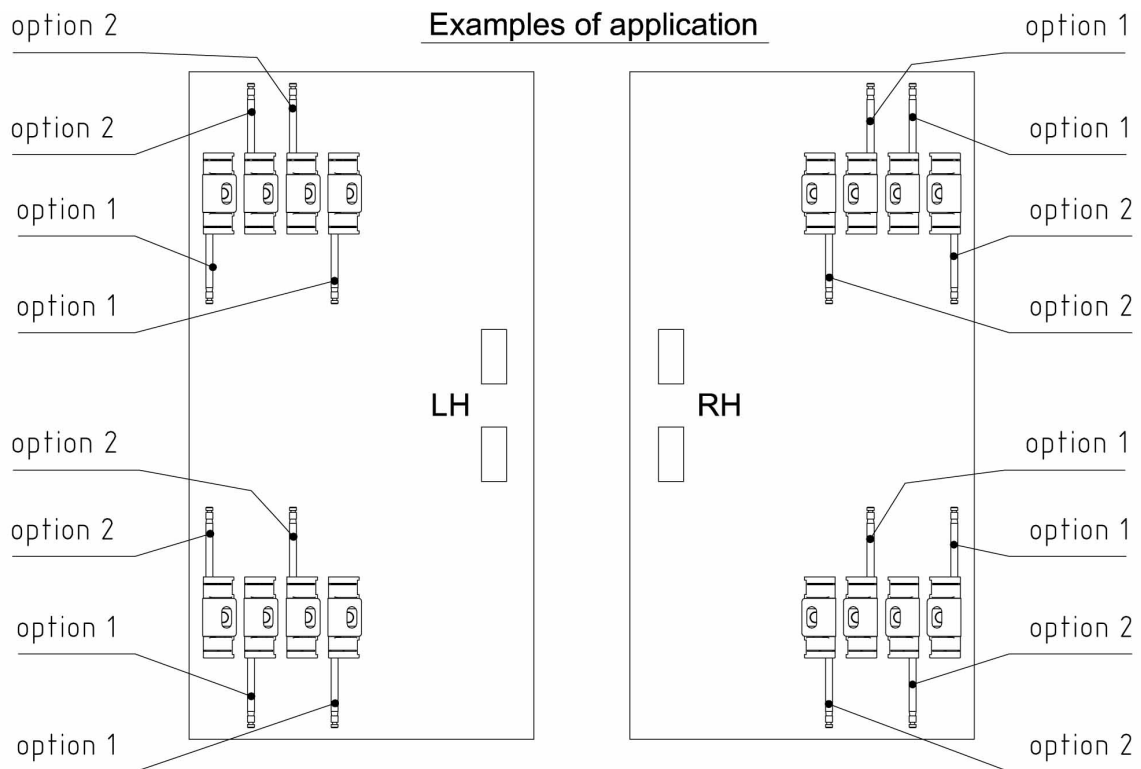
Complementary products

292-0701.15-01530 **Reinforcement plate for cutout SNAP-LINE**

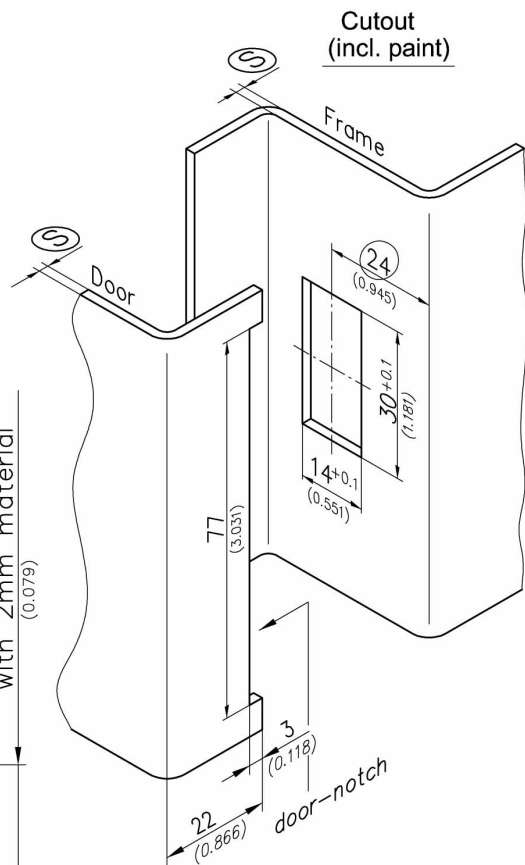
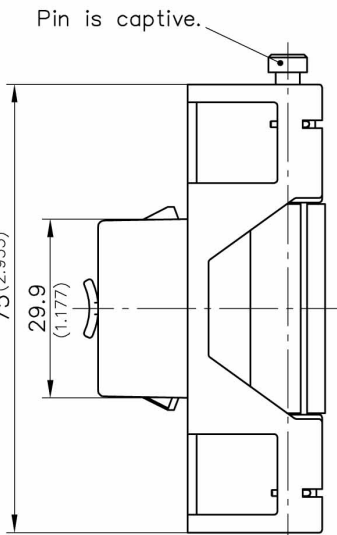
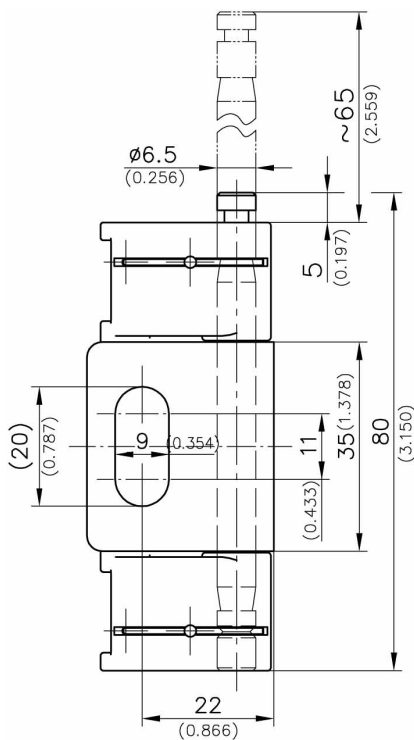
292-0402.00-03014 **Cutout-cover**

292-0301.15-00000 **Tool for uninstallation**

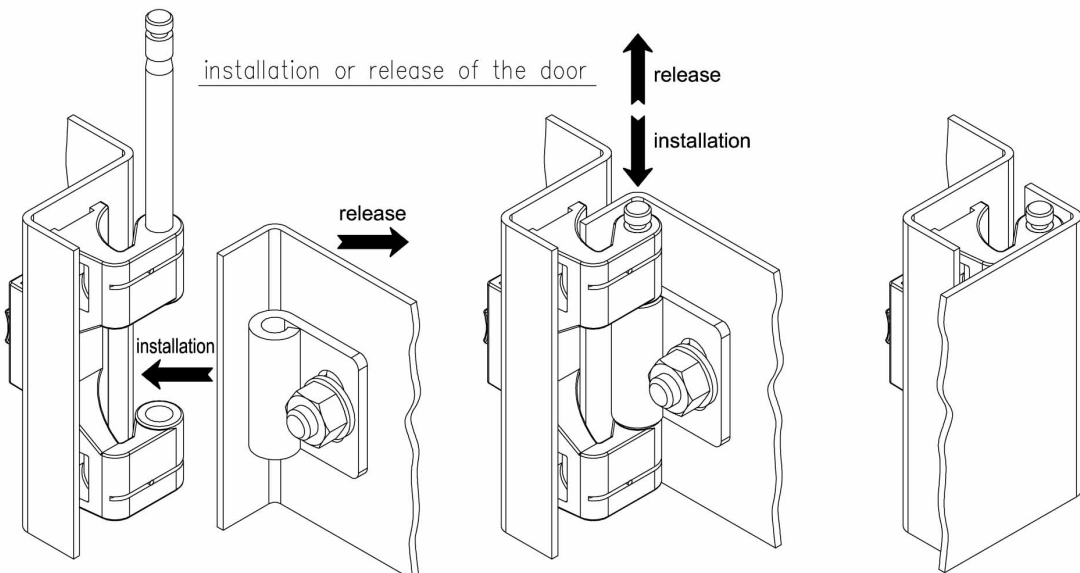
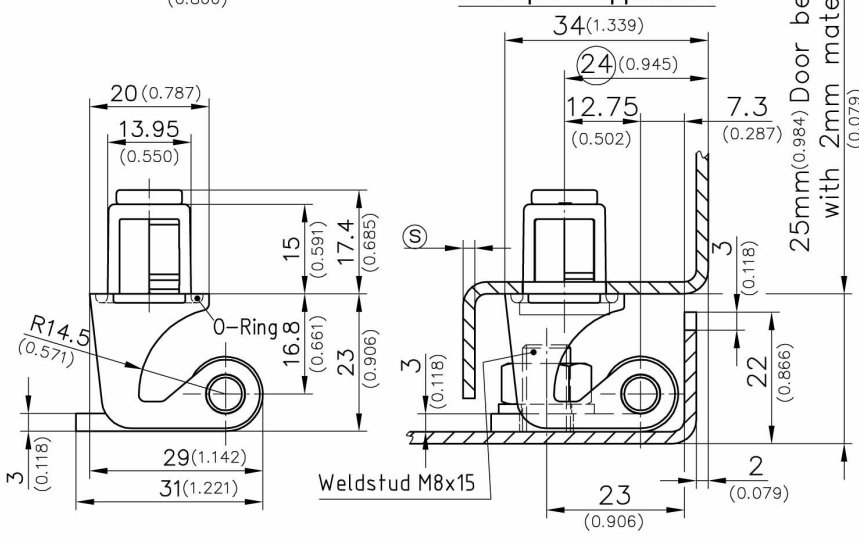
292-0306.80-02530 **Tool for uninstallation**



Depending on the shown options, the captive pin is pre-assembled from the top or upside-down. The chart below shows the options for LH and RH doors.



Example of application



The pin latches in captive position. Insert the door to the hinge.

Insert the pin when mounting the door. The pin latches in the end position.

Assembled and door closed.