



2-120 Swinghandle RS 90



for cutout 90, for round rods, for profile-cylinder

Advantages

- Low profile swinghandle for sheet metal and plastic enclosures.
- RH or LH application.
- The polyamide handle is fully insulated.
- The Swinghandle has a 90° rotation and is locked by a profile-cylinder according to DIN 18252, a cylinder or an insert.
- Water- and dust-tight according to IP65 DIN EN 60529.
- **Please note:** When using the adapter ring, the swinghandle is no longer water- and dust-tight according to IP65 standards.

Materials

- a) - d)
- **Swinghandle:** PA, black
 - **Dish:** PA, black
 - **Cover:** PA, black or zinc die, black
 - **Cap:** PA, black
- g)
- **Adapter:** zinc die, untreated



Swinghandle for profile-cylinder 40mm

	Part Number	Version	Material cylinder cover	Rainforced dustcover	Stroke	Installation type
a)	107-9401.00-00000	without cylinder dustcover			18,0 mm	screw-on
a)	107-9402.00-00000	with cylinder dustcover	PA		18,0 mm	screw-on
a)	107-9403.00-00000	with cylinder dustcover	PA	Yes	18,0 mm	screw-on
a)	107-9404.00-00000	with cylinder dustcover	zinc die		18,0 mm	screw-on

Swinghandle for profile-cylinder 45mm

	Part Number	Version	Material cylinder cover	Rainforced dustcover	Stroke	Installation type
b)	107-9405.00-00000	without cylinder dustcover			18,0 mm	screw-on

b)	107-9406.00-00000	with cylinder dustcover	PA		18,0 mm	screw-on
b)	107-9407.00-00000	with cylinder dustcover	PA	Yes	18,0 mm	screw-on
b)	107-9408.00-00000	with cylinder dustcover	zinc die		18,0 mm	screw-on

Swinghandle for inserts

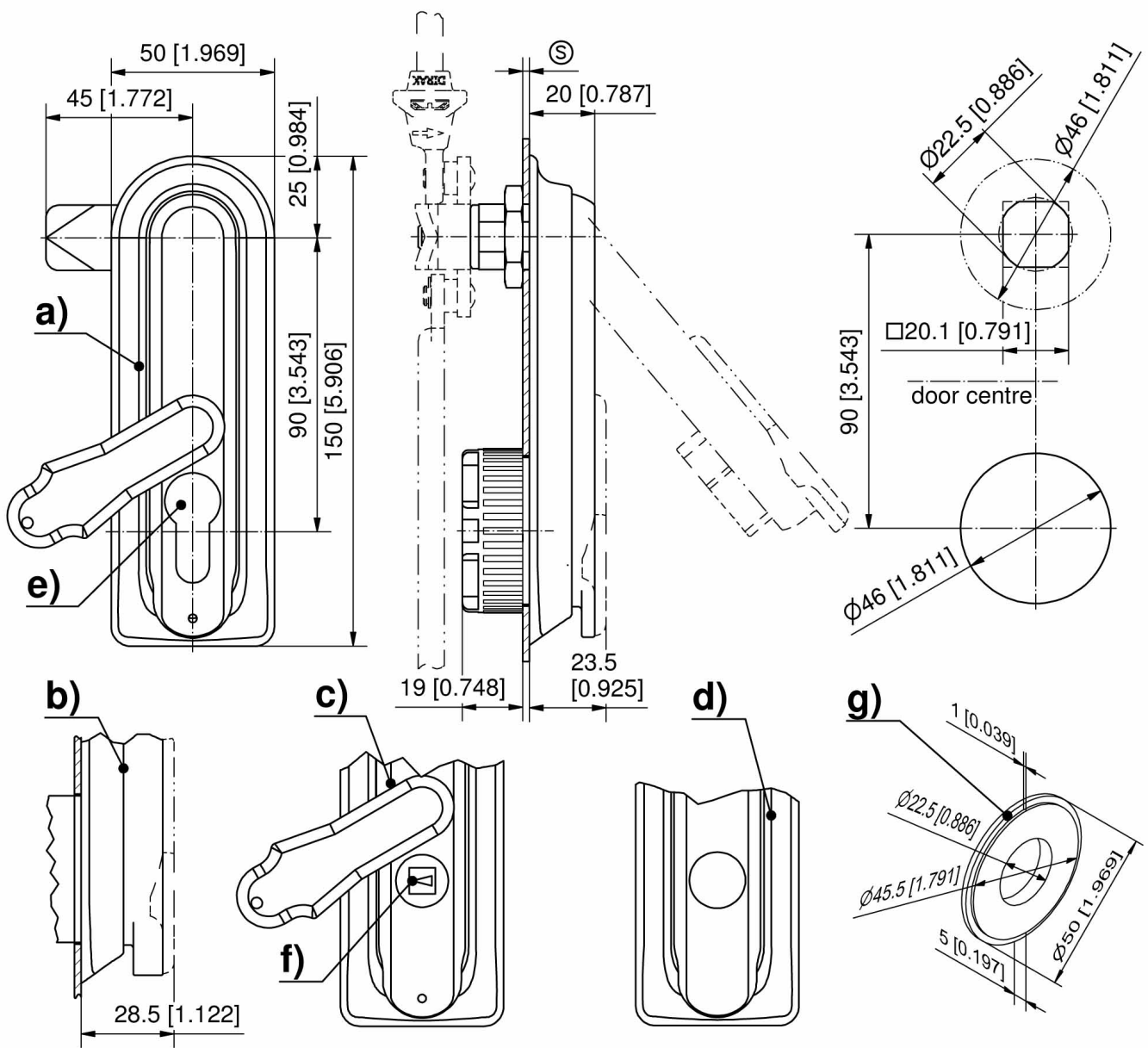
	Part Number	Version	Material cylinder cover	Reinforced dustcover	Stroke	Installation type
c)	107-9422.00-00000	without cylinder dustcover			18,0 mm	screw-on
c)	107-9423.00-00000	with cylinder dustcover	PA		18,0 mm	screw-on
c)	107-9424.00-00000	with cylinder dustcover	PA	Yes	18,0 mm	screw-on
c)	107-9425.00-00000	with cylinder dustcover	zinc die		18,0 mm	screw-on

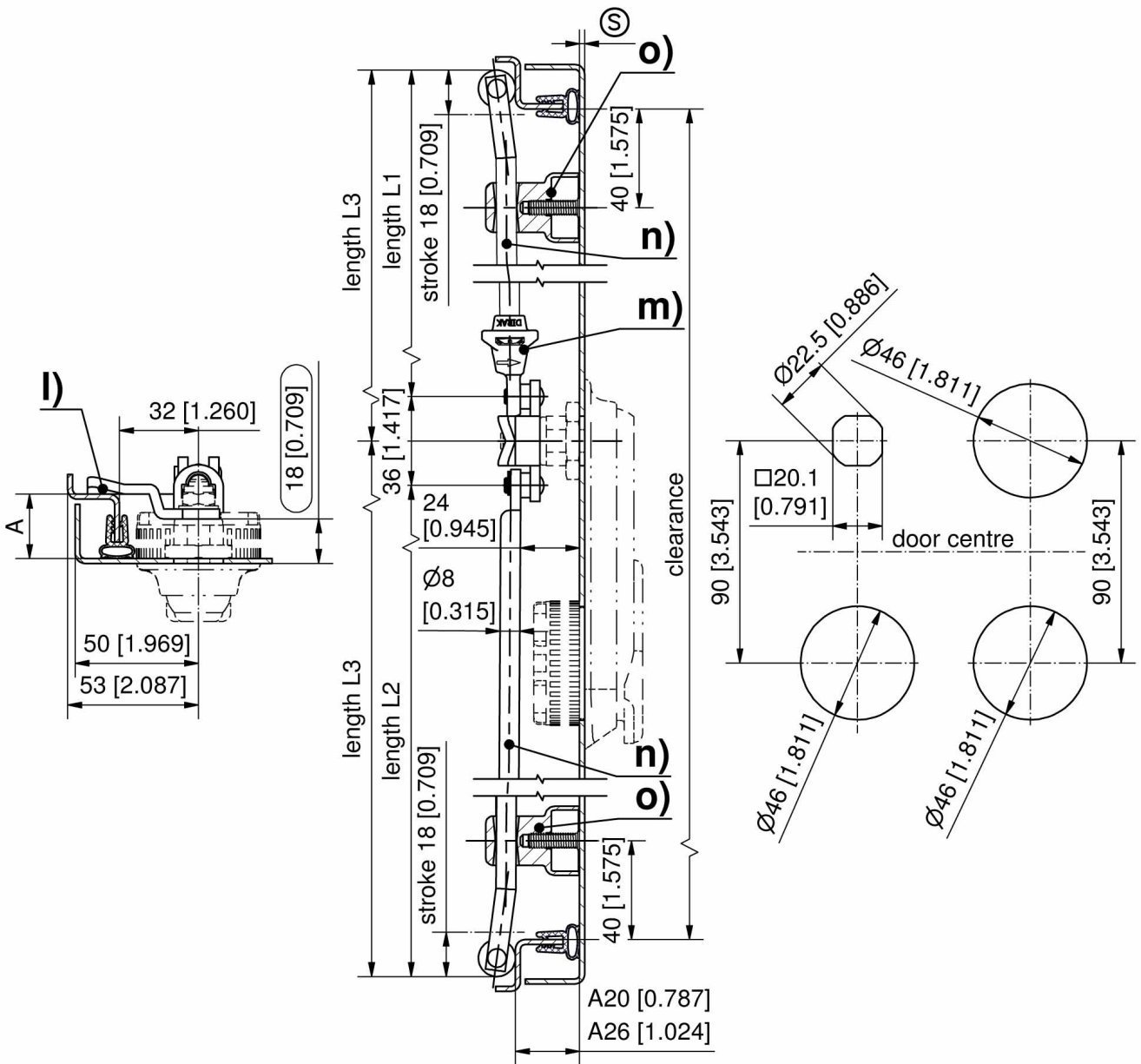
Swinghandle clip-in, handle closed

	Part Number	Version	Stroke	Installation type
d)	107-9421.00-00000	without lock	18,0 mm	screw-on

Complementary products

- e) 2-140 **Profile-Cylinder**
- f) 2-141 **Inserts**
 - 1-181.01 **Adapter for round rods**
 - 1-181SL **Adapter PA for Round Rods SNAP-LINE**
 - 1-170 **Round Rods**
 - 1-180 **Round Rods**
 - 200-3623.51-00000 **Rod guide**
 - 200-3625.51-00000 **Rod guide**
 - 207-9522.00-00000 **3- or 4-point cam**
 - 207-9528.00-00000 **3- or 4-point cam**
 - 207-9599.00-00000 **3- or 4-point Cam**
- g) 207-2701.03-00000 **Adapter for cutout Ø 46mm**
- g) 207-2804.00-00000 **Gasket for adapter Ø46**





Formula for rods with eye and rollers:
cutout in the door center (rod length varies)

$$L1 = \frac{\text{upper rod}}{2} \frac{\text{clearance}-12\text{mm}[0.472]}{[0.079]} - 45 \text{ mm} [1.772] \quad L2 = \frac{\text{lower rod}}{2} \frac{\text{clearance}-12\text{mm}[0.472]}{[0.079]} + 45 \text{ mm} [1.772]$$

cutout outside the door center (rod length equal)

$$L3 = \frac{\text{clearance}-12\text{mm}[0.472]}{2[0.079]}$$