



## 2-100.01 Swinghandle RS 105 for PHZ and KABA-Cylinder

for cutout 105, for round rods, for profile-cylinder



### Advantages

- Swinghandle with closing rotation 90°.
- RH / LH application.
- Fully insulated.
- IP65 according to DIN EN 60529.
- Profile-cylinder according to DIN 18252.
- Use of KABA-cylinder.
- Use of Padlocks.

### Materials

- a), b) and c)
- Swinghandle:** PA, black or grey RAL 7032
  - Padlock:** stainless steel

### Remarks

**Please note:** When using the adapter 207-2701.03-00000 the swinghandle is **no** longer water- and dust-tight according to IP65 standards



## Swinghandle PA, black for profile-cylinder

	Part Number	Internal cover	Material cylinder cover	Sealable	Installation type
a)	207-9101.00-00000	Ø46		Yes	screw-on
a1)	207-9102.00-00000	Ø46	PA	Yes	screw-on
a2)	207-9103.00-00000	Ø46	PA	Yes	screw-on

## Swinghandle PA, black, for KABA-cylinder

	Part Number	Internal cover	Material cylinder cover	Rainforced dustcover	Sealable	Installation type
b)	207-9109.00-00000	Ø46				screw-on
b1)	207-9110.00-00000	Ø46	PA		Yes	screw-on
b2)	207-9111.00-00000	Ø46	PA	Yes	Yes	screw-on

## Swinghandle PA, grey RAL 7032, for KABA-cylinder

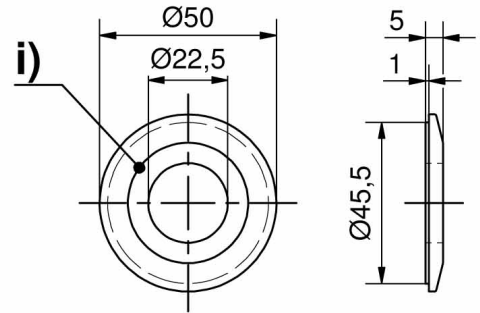
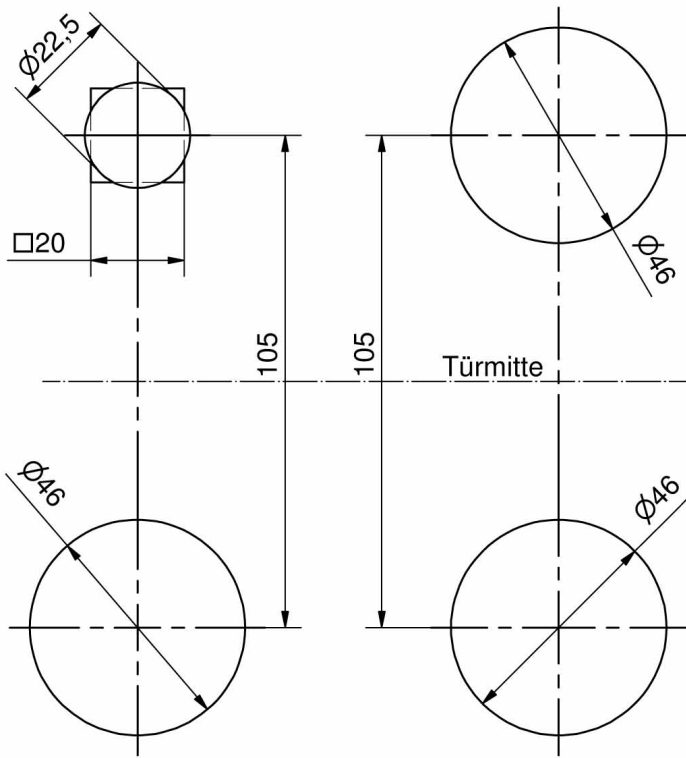
	Part Number	Internal cover	Material cylinder cover	Rainforced dustcover	Sealable	Installation type
b)	207-7080.00-00000	Ø46				screw-on
b1)	207-7043.00-00000	Ø46	PA		Yes	screw-on
b2)	207-7081.00-00000	Ø46	PA	Yes	Yes	screw-on

## Swinghandle PA, black, for profile-cylinder and padlock

	Part Number	Internal cover	Padlock bolt	Installation type
c)	207-9112.00-00000	Ø46	Yes	screw-on

### Complementary products

- h) 2-140 **Profile-Cylinder**
- f) 1-181.01 **Adapter for round rods**
- f) 1-181SL **Adapter PA for Round Rods SNAP-LINE**
- e) 1-170 **Round Rods**
- e) 1-180 **Round Rods**
- g) 200-3623.51-00000 **Rod guide**
- g) 200-3625.51-00000 **Rod guide**
- d) 207-9522.00-00000 **3- or 4-point cam**
- d) 207-9528.00-00000 **3- or 4-point cam**
- d1) 207-9599.00-00000 **3- or 4-point Cam**
- i) 207-2701.03-00000 **Adapter for cutout Ø 46mm**  
207-2804.00-00000 **Gasket for adapter Ø46**



Formel für Stangen mit Auge und Rollen:

Einbauöffnung in der Türmitte (Stangenlänge unterschiedlich)

$$L = \frac{\text{obere Stange}}{\text{lichte Höhe} - 12\text{mm}} - 53\text{ mm}$$

$$L = \frac{\text{untere Stange}}{\text{lichte Höhe} - 12\text{mm}} + 53\text{ mm}$$

Einbauöffnung außerhalb der Türmitte (Stangenlänge gleich)

$$L = \frac{\text{lichte Höhe} - 12\text{mm}}{2}$$

