



2-092 Swinghandle RS PrC with square threaded rod 40mm

Swinghandle with 90° closing rotation. For 3-point cams / round rods.



Advantages

- Square threaded rod 40mm for adjustable single or 3-point cams
- Adjustability of the cam by catch for standard cams 2-151.02SL and 3-point cam adapter with knurled wheel 2-151.01SL.
- Readjustment possible at any time (e.g. compressed sealing).
- IP65 according to DIN EN 60529.
- RH / LH application.
- Pre-assembled without cam.

Materials

- **Handle, dish and cylinder dustcover:** see table
- **Square threaded rod:** zinc die, nickel plated
- **Bearing plate:** zinc die, untreated
- **Cap:** PA 6
- **Sealings:** NBR

Remarks

Further information on the swing handles can be found on pages 2-090, 2-090.01 and 2-090.03. If you need variants which are not listed here, please contact us.



Swinghandle PA for profile-cylinder

Part Number	Surface handle	Surface dish	Dish
207-9282.00-00040	black	black	with cap (IP65)

Swinghandle zinc die for profile-cylinder

Part Number	Surface handle	Surface dish	Dish	Material cylinder cover	Sealable
107-9208.00-00040	black	black	with cap (IP65)	zinc die	Yes

Swinghandle zinc die, dish PA for profile-cylinder and padlock

Part Number	Surface handle	Surface dish	Dish	Padlock bolt
107-9282.00-00040	black	black	with cap (IP65)	No

Swinghandle PA with cylinder barrel

Part Number	Surface handle	Surface dish	Dish
207-9238.00-00040	black	black	with cap (IP65)

Swinghandle PA for insert

Part Number	Surface handle	Surface dish	Dish
207-9244.00-00040	black	black	with cap (IP65)

Swinghandle zinc die, dish PA for insert

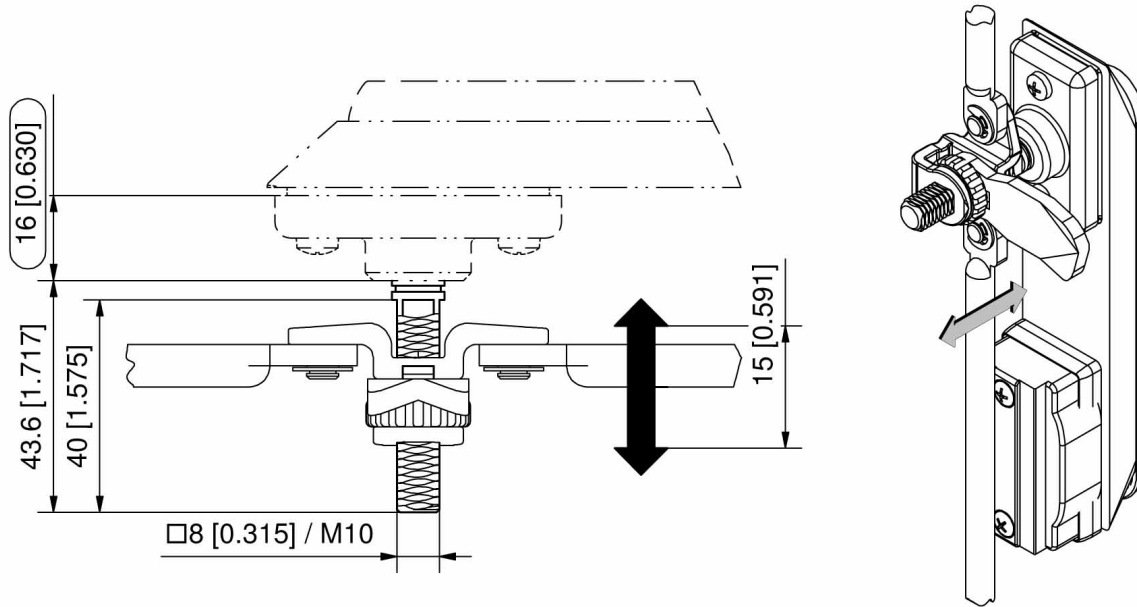
Part Number	Surface handle	Surface dish	Dish
107-9206.00-00040	chrome plated	black	with cap (IP65)

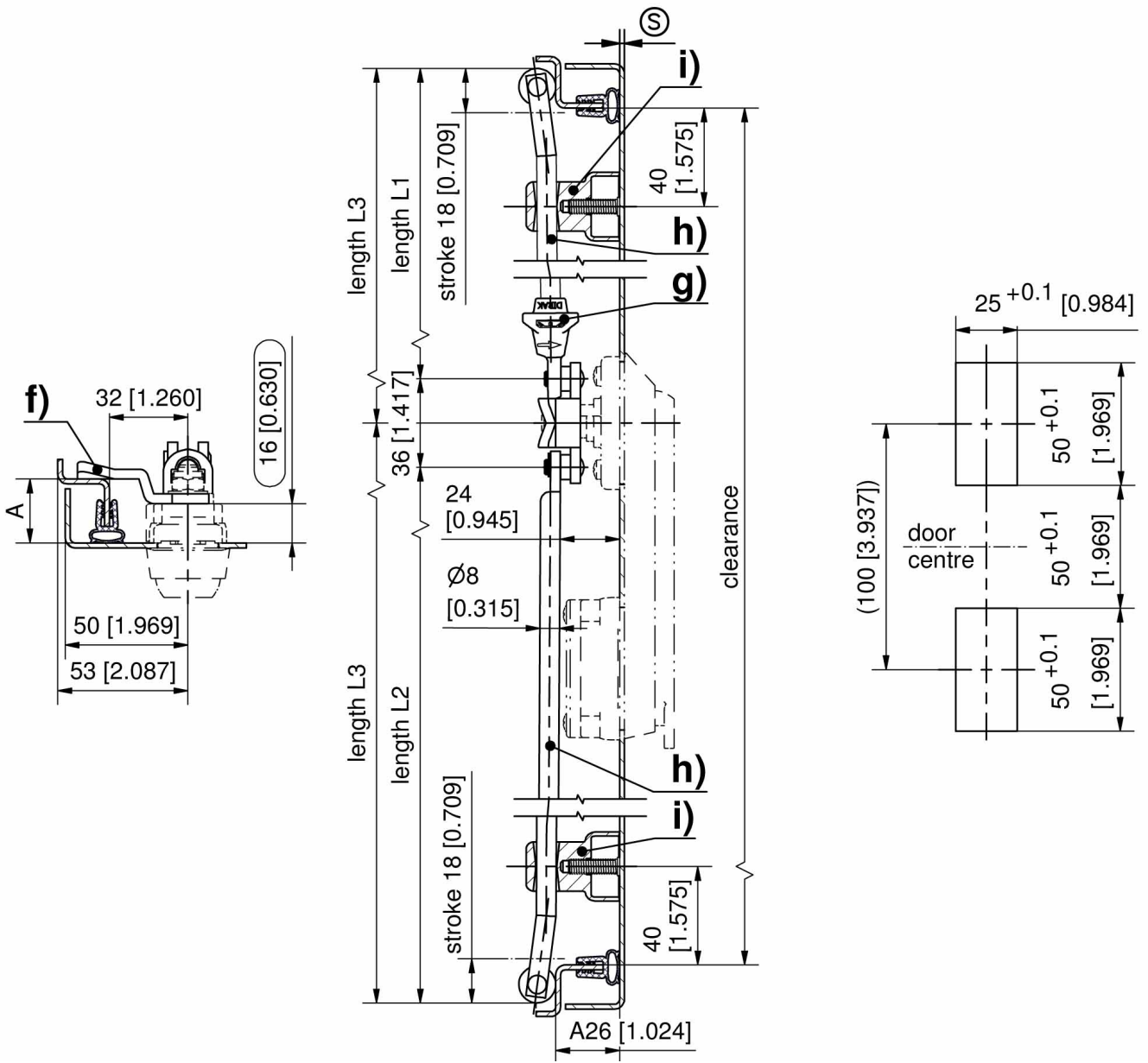
* Complementary products

- g) 1-181.01 **Adapter for round rods**
- g) 1-181SL **Adapter PA for Round Rods SNAP-LINE**
- 1-191SL **Height-adjustable Rod Guide with Knurled Nut**
- h) 1-170 **Round Rods**
- h) 1-180 **Round Rods**
- f) 1-102 **Cams L35/45**
- 2-151.01SL **Adjustable 3-Point Cam Adapter with Knurled Wheel**
- 2-151.02SL **Catch for standard Cams**

+ Function extension

- 3-011 **Grounding clip**





Formula for rods with eye and rollers:
cutout in the door center (rod length varies)

$$L1 = \frac{\text{upper rod clearance} - 12\text{mm}[0.472]}{2 [0.079]} - 50 \text{ mm} [1.969] \quad L2 = \frac{\text{lower rod clearance} - 12\text{mm}[0.472]}{2 [0.079]} + 50 \text{ mm} [1.969]$$

cutout outside the door center (rod length equal)

$$L3 = \frac{\text{clearance} - 12\text{mm}[0.472]}{2[0.079]}$$