



7-034 Lock Cover for Rod Latch PrA / PrC



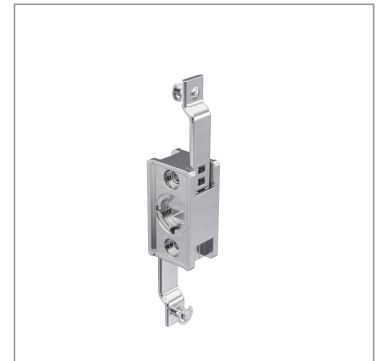
Lock cover for stainless steel variants for inserts

Advantages

- a) Lock cover compatible with rod latch cutout A.
- a1) Lock cover compatible with rod latch cutout C.
- Lock covers are screwed into the cutout together with the rod latch.
- Version for cutout C will be screwed in addition also in the lower cutout (fixing screws are part of the delivery).
- IP65 according to DIN EN 60529 with sealing kit for cutout A or C.
- Actuation of the rod latch with insert d) – d4).

Materials

- **Escutcheons:** stainless steel AISI 316
- **Inserts:** stainless steel AISI 303 or AISI 316



Escutcheons

	Part Number	Name	Cutout	Installation type
a)	208-9304.00-00000	Escutcheon	PrA	screwed
a1)	208-9504.00-00000	Escutcheon	PrC	screwed

Inserts

	Part Number	Insert	Material
d)	208-9218.00-00000	Square 7mm	stainless steel AISI 303
d1)	208-9219.00-00000	Square 8mm	stainless steel AISI 303
d2)	208-9220.00-00000	Double bit 3mm pin	stainless steel AISI 316L

d3)	208-9221.00-00000	Double bit 5mm pin	stainless steel AISI 316L
d4)	208-9222.00-00000	Triangular 7mm	stainless steel AISI 303

