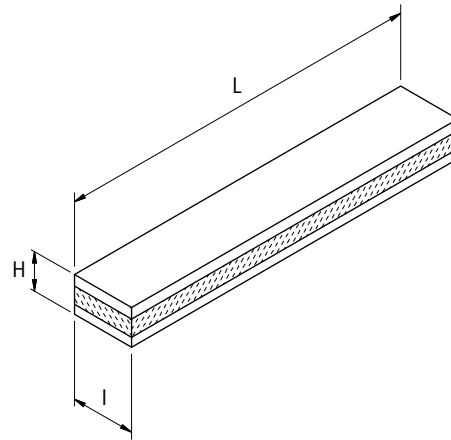


# A2 Antivibration mountings with other shapes

## Barra Antivibrante Antivibration Bar



## B series

### Caratteristiche

**Materiale Corpo:**  
Mescola Gomma NR/SBR

**Durezza standard:**  
60 Shore A

**Tolleranza sulla durezza:**  
+/- 5 SH

**Parte Metallica e/o Fissaggio:**  
Fe 36 zincato

### Product specification

**Main Part Material:**  
NR/SBR Rubber Compound

**Standard Hardness:**  
60 Shore A

**Hardness Tolerance:**  
+/- 5 SH

**Metallic Part Material & Finishing:**  
Zinc Plated Iron

Codice	H	I	L	Spessore Ferri mm Thickness Metal Plates mm	Carico max a Compres. daN Max Compression Load daN	Confezione Pz Packing Pcs.
A2B50L	50	50	1000	10	14 / cm2	1
A2B60L	60	60	1000	10	14 / cm2	1
A2B80L	60	80	1000	10	14 / cm2	1
A2B100L	60	100	1000	10	14 / cm2	1