

FF series

Caratteristiche

Materiale Corpo:

Miscela Gomma NR/SBR

Durezza standard:

60 Shore A

Tolleranza sulla durezza:

+/- 5 SH

A richiesta:

Insero Femmina Passante

Parte Metallica e/o

Fissaggio:

Rondella Sabbata e Zincata

Tipo Insero Standard:

Insero Femmina Cieco

Product specification

Main Part Material:

NR/SBR Rubber Compound

Standard Hardness:

60 Shore A

Hardness Tolerance:

+/- 5 SH

On request:

Threaded Thru-Hole

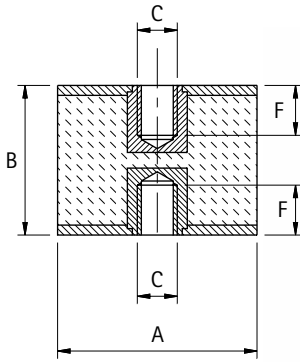
Metallic Part Material &

Finishing:

Zinc Plated Washers

Standard Thread:

Threaded Blind Hole



Femmina/Femmina Type C (Double Female)



Codice	A	B	C	F	Carico max a Compres. daN Max Compression Load daN	Carico max a Taglio daN Max Shear Load daN	Confezione Pz Packing Pcs.
A1FF1515	15	15	M4	4	15	2	1
A1FF2020	20	20	M6	6	20	2	1
A1FF2025	20	25	M6	6	18	2	1
A1FF2030	20	30	M6	6	16	2	1
A1FF2520	25	20	M6	8	45	5	1
A1FF2525	25	25	M6	8	42	4	1
A1FF2530	25	30	M6	8	35	3	1
A1FF3020	30	20	M8	6	66	9	1
A1FF3030	30	30	M8	10	61	8	1
A1FF3040	30	40	M8	10	54	5	1
A1FF4030/10	40	30	M10	10	98	15	1
A1FF4030/8	40	30	M8	10	98	15	1
A1FF4035/8	40	35	M8	10	108	13	1
A1FF4040/10	40	40	M10	10	108	13	1
A1FF4040/8	40	40	M8	10	108	13	1
A1FF5030	50	30	M10	10	169	19	1
A1FF5040	50	40	M10	10	144	17	1
A1FF5050	50	50	M10	10	134	13	1
A1FF6030/10	60	30	M10	10	210	30	1
A1FF6030/12	60	30	M12	12	210	30	1
A1FF6040/12	60	40	M12	11	210	30	1
A1FF6050/10	60	50	M10	10	200	24	1
A1FF7530	75	30	M12	12	390	90	1
A1FF7540	75	40	M12	12	378	78	1
A1FF7550	75	50	M12	12	373	68	1
A1FF10050	100	50	M16	14	660	98	1
A1FF10055	100	55	M16	14	636	78	1
A1FF10060	100	60	M16	14	590	49	1