

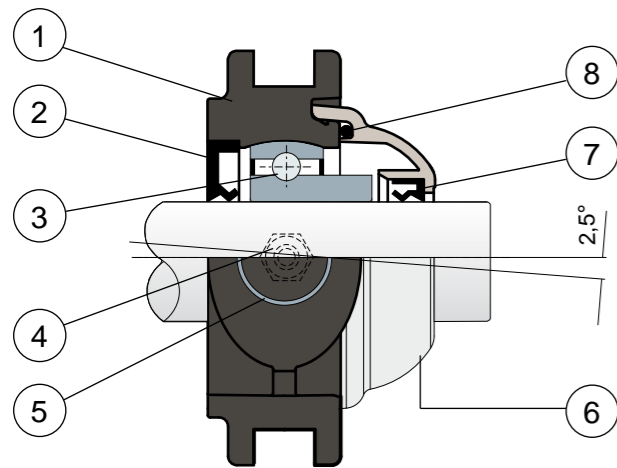


Take-up bearing supports

Serie UCT/C



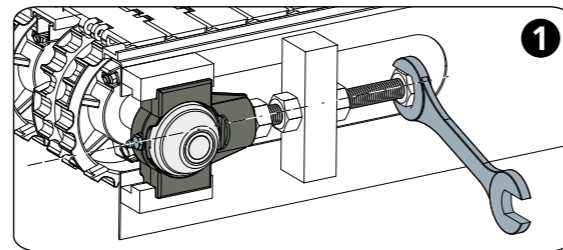
Full protection of bearing



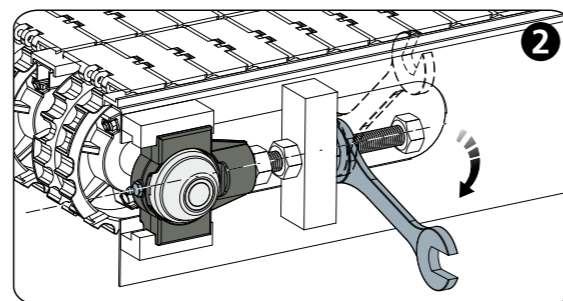
- 1) Support body made out of black or white polyamide reinforced with glass fibers.
- 2) Back gasket made out of NBR rubber for turning shaft seal.
- 3) Chrome steel or stainless steel bearing AISI 440.
- 4) Greaser, straight type with 1/8 gas thread, made out of nickel-plated brass.
- 5) Bushing made of nickel plated brass.
- 6) Protection cover made out of polypropylene (grey colour Ral 7042).
- 7) Front gasket made out of NBR rubber for turning shaft seal.
- 8) OR gasket made out of NBR rubber.

Support dimensions respect ISO 3228 set of rules.
Maximum shaft alignment error 2,5°.
For further information please contact our technical office or sales department.

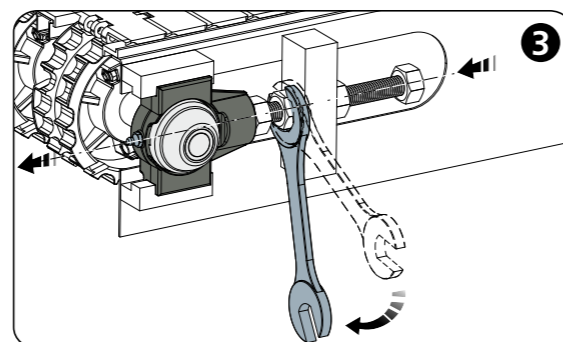
Example of application



Lock the shaft



Unscrew the lock



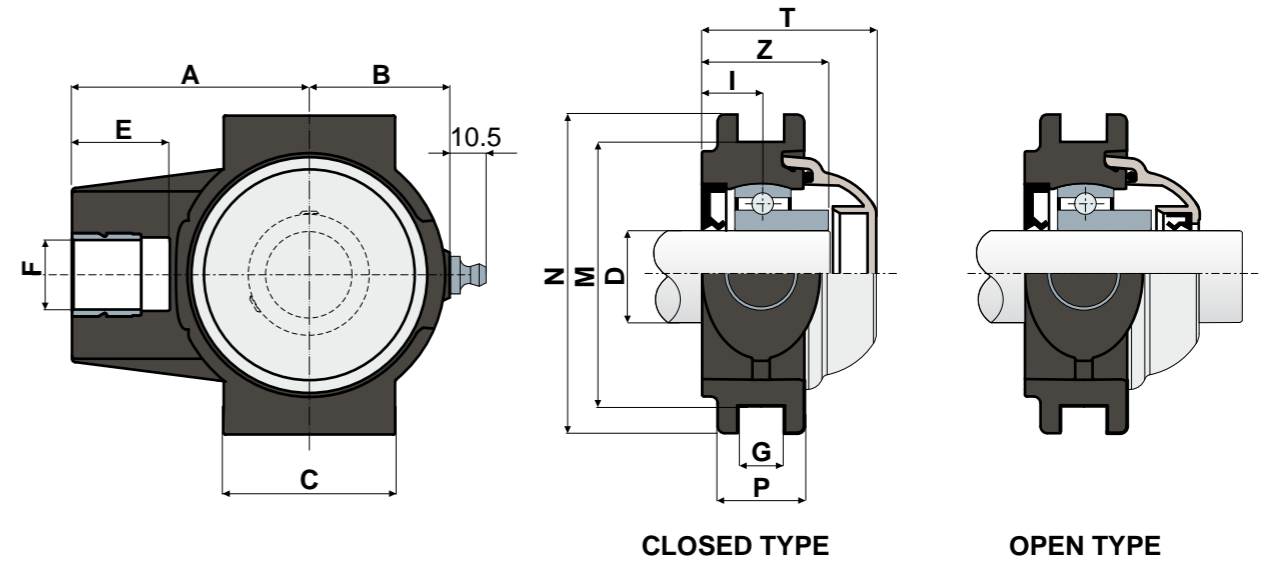
Screw to make the support advance

Take-up bearing supports

Technical data



Serie UCT/C



CLOSED TYPE

OPEN TYPE

| | | CHROME STEEL BEARING | | | | | | | | | | | | | | | | | | |
|----|-----------|----------------------|-----------|--------------|-----------|-----------------|------|----|----|-----|------|------|------|-----|------|------|------|------------------|-------|----------------------|
| | | Support CODES | | | | DIMENSIONS (mm) | | | | | | | | | | | | Bearing load (N) | | Bearing support load |
| D | SERIE | Black colour | | White colour | | A | B | C | E | F | G | I | M | N | P | Z | T | C | C0 | (N) |
| | | Closed type | Open type | Closed type | Open type | | | | | | | | | | | | | | | |
| 20 | UCT 204 C | 85672 | 85673 | 85676 | 85677 | 63,5 | 35 | 50 | 28 | M16 | 13,5 | 17 | 76,2 | 92 | 25 | 35 | 50 | 12800 | 6600 | 16000 |
| 25 | UCT 205 C | 86103 | 86104 | 86105 | 86106 | 68,5 | 40,5 | 50 | 28 | M20 | 13,5 | 17 | 76,2 | 92 | 13,5 | 36,5 | 50,2 | 14000 | 7800 | 24000 |
| 30 | UCT 206 C | 86120 | 86122 | 86124 | 86126 | 77 | 48 | 57 | 28 | M24 | 13,5 | 18,5 | 89 | 104 | 28 | 40,5 | 55,7 | 19500 | 11200 | 27000 |

| | | CHROME STEEL BEARING | | | | | | | | | | | | | | | | | | |
|----|-----------|----------------------|-----------|--------------|-----------|-----------------|------|----|----|-----|------|------|------|-----|------|------|------|------------------|-------|----------------------|
| | | Support CODES | | | | DIMENSIONS (mm) | | | | | | | | | | | | Bearing load (N) | | Bearing support load |
| D | SERIE | Black colour | | White colour | | A | B | C | E | F | G | I | M | N | P | Z | T | C | C0 | (N) |
| | | Closed type | Open type | Closed type | Open type | | | | | | | | | | | | | | | |
| 20 | UCT 204 C | 85674 | 85675 | 85678 | 85679 | 63,5 | 35 | 50 | 28 | M16 | 13,5 | 17 | 76,2 | 92 | 25 | 35 | 50 | 10800 | 6600 | 16000 |
| 25 | UCT 205 C | 86107 | 86108 | 86109 | 86110 | 68,5 | 40,5 | 50 | 28 | M20 | 13,5 | 17 | 76,2 | 92 | 13,5 | 36,5 | 50,2 | 11900 | 7800 | 24000 |
| 30 | UCT 206 C | 86128 | 86130 | 86132 | 86134 | 77 | 48 | 57 | 28 | M24 | 13,5 | 18,5 | 89 | 104 | 28 | 40,5 | 55,7 | 16250 | 11200 | 27000 |

MATERIALS: Support made out of black or white colour PA+glass fiber; chrome steel or stainless steel bearing; greaser and bushings made out of nickel plated brass; gaskets made out of NBR rubber; cover made out of polypropylene, grey colour RAL 7042.
FEATURES: Full protection of bearing against external agents. Assembly with not shouldered shafts. Maximum shaft alignment error 2,5°.
BOX QUANTITY: 8 pieces.
ON REQUEST: Versions with body in polypropylene + glass fiber and antibacterial additive; protection cover in different colours and with customized brand; box quantity according to your request; Viton gaskets, "Long life" bearings.