

"EUROMODEL" FIXED LEVER WITH SMOOTH BORED INSERT

A151



PROTECTED MODEL

Material:

Special high resistance glass fiber reinforced technopolymer.
Oils and greases resistant.

Surface:

Satin.

Colour:

Black (RAL 9011).

Central Cap:

grey polyamide (RAL 7035).

Main Insert:

Zinc plated steel insert, with right through smooth bore (bore tolerance H11).

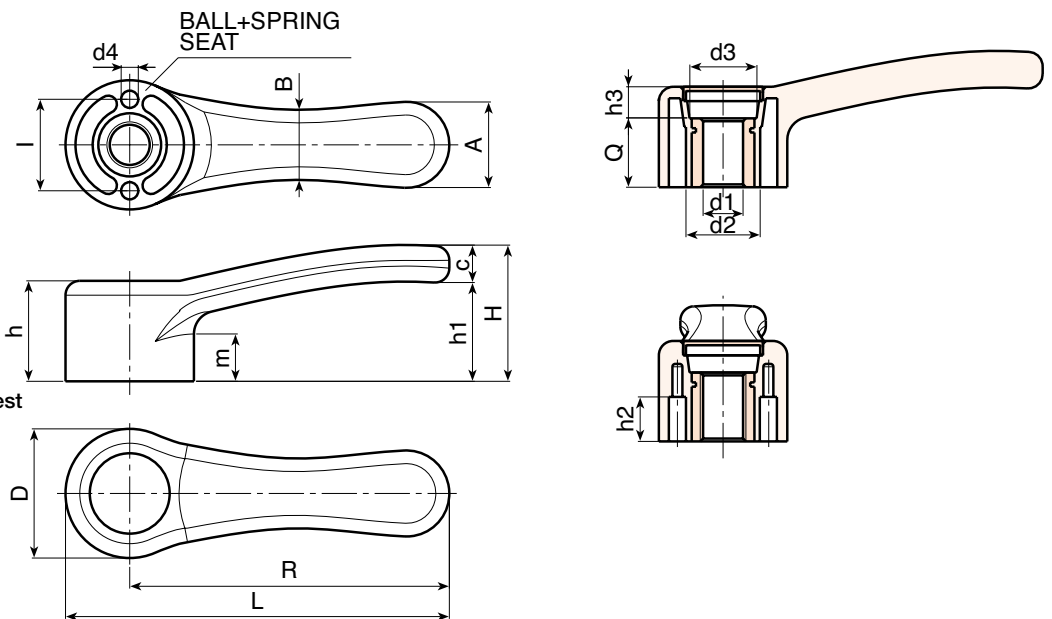


Alternative cap colours

- Orange (RAL 2004 cod. 02)
- Blue (RAL 5015 cod. 07)
- Yellow (RAL 1021 cod. 10)
- Red (RAL 3000 cod. 16)
- Green (RAL 6024 cod. 17)
- Black (RAL 9011 cod. 01)

SPECIAL REQUESTS:

- Fixing springs and balls (zinc plated steel) available upon request.
- It's possible to supply the inserts with d1 diameter by customer design, on request and for quantities.
- It's possible to supply the inserts with different materials, on request and for quantities.
- It's possible to supply the inserts with different treatment, on request and for quantities.
- It's possible to supply the lever body and cap with colours as shown in the table at page A-31 on request and for quantities.



Art.	L	R	D	H	h	h1	h2	h3	m	l	A	B	c	d2	d3	d4	dm	d1 H11	Q	g
A151068.TD0501	84,5	68	33	37	25	27	11,5	9	12	24	20	17	10	20	16	4	10	05	16	45
A151068.TD1001	84,5	68	33	37	25	27	11,5	9	12	24	20	17	10	20	16	4	10	10	16	44
A151086.TD0501	104	86	36	40	28	29	14	12	13	26	24	19	11	22	18	5	12	05	16	65
A151086.TD1001	104	86	36	40	28	29	14	12	13	26	24	19	11	22	18	5	12	10	16	61
A151112.TD0501	134,5	112	45	47	36	35	14,5	12	16	32	30	24	13	26	23,5	6	16	05	24	128
A151112.TD1401	134,5	112	45	47	36	35	14,5	12	16	32	30	24	13	26	23,5	6	16	12	24	124
A151142.TD0501	169,5	142	55	52	40	36	18	13	17,5	40	37	30	16	32	28	8	20	05	27	250
A151142.TD1401	169,5	142	55	52	40	36	18	13	17,5	40	37	30	16	32	28	8	20	14	27	240

Attention: bore d1 (H11 tolerance) could be produced by request, with 100 pieces minimum.

Dm = It's possible to increase the hole, by boring, until Dm (enlarge).

Availability of stock in %

(🏠) 90% (😊) 40% (😐) 5% (😞)

BOTECO® - © All right reserved - www.boteco.it
Any unauthorized reproduction is strictly forbidden

