

SOLID HANDLE WITH THREADED STAINLESS STEEL INSERT

B236CIN

+135°
-25°

PA6
+GF

UL94
HB

ROHS

INOX

Material:

Reinforced polyamide.
Oils and greases resistant.

Surface:

Satin.

Colour:

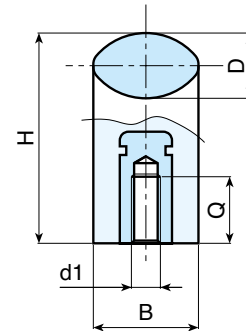
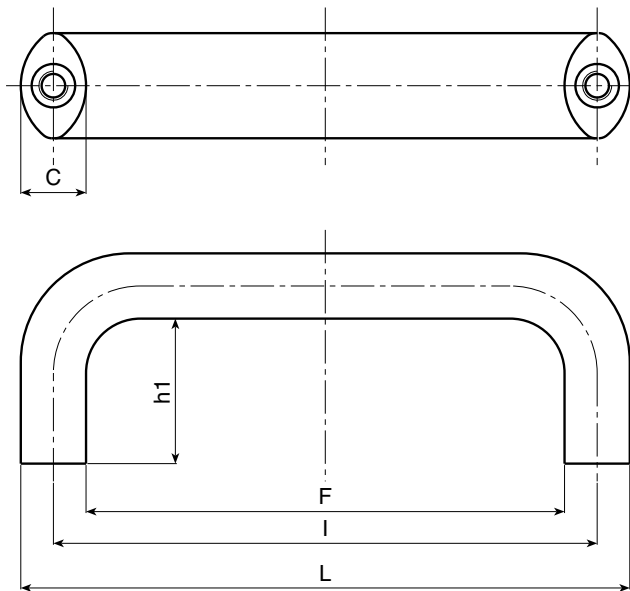
Black (RAL 9011).

Main Insert:

Stainless steel blind threaded bush (AISI 303),
(tolerance 6H).

SPECIAL REQUEST:

- It is possible to supply colours as shown in the table at pag. B-22, on request and for quantities.



☺	art.	L	I	F	B	C	D	H	h1	Q	d1	⚖ g	F1 (N)	F2 (N)
☺	B236086.TM0501CIN	98,5	86	73,5	20	12,5	12,5	40	28	8	M05	40	4000	1500
☺	B236086.TM0601CIN	98,5	86	73,5	20	12,5	12,5	40	28	9	M06	40	4000	1500
☺	B236094.TM0501CIN	106,5	94	81,5	20	12,5	12,5	40	28	8	M05	40	3300	1600
☺	B236094.TM0601CIN	106,5	94	81,5	20	12,5	12,5	40	28	9	M06	40	3300	1600
☺	B236117.TM0501CIN	134	117	102	25	16	16	50	34	8	M05	84	4400	1800
☺	B236117.TM0601CIN	134	117	102	25	16	16	50	34	9	M06	81	4400	1800
☺	B236117.TM0801CIN	134	117	102	25	16	16	50	34	13	M08	80	4400	1800
☺	B236120.TM0501CIN	134	120	102	25	16	16	50	34	8	M05	84	5200	2400
☹	B236120.TM0601CIN	134	120	102	25	16	16	50	34	9	M06	81	5200	2400
☹	B236120.TM0801CIN	134	120	102	25	16	16	50	34	13	M08	80	5200	2400
☹	B236132.TM0501CIN	148	132	116	25	16	16	50	34	8	M05	90	3700	2600
☺	B236132.TM0601CIN	148	132	116	25	16	16	50	34	9	M06	88	3700	2600
☺	B236132.TM0801CIN	148	132	116	25	16	16	50	34	13	M08	85	3700	2600
☹	B236150.TM0601CIN	168	150	132	29	18	18	58	40	9	M06	123	5900	1900
☹	B236150.TM0801CIN	168	150	132	29	18	18	58	40	13	M08	121	5900	1900
☹	B236150.TM1001CIN	168	150	132	29	18	18	58	40	16	M10	119	5900	1900
☹	B236179.TM0801CIN	197	179	161	29	18	18	58	40	13	M08	135	3800	3200
☹	B236179.TM1001CIN	197	179	161	29	18	18	58	40	16	M10	133	3800	3200

Presumable presence in the stock in %

(☺) 90% (☺) 40% (☹) 5% (☹)

BOTECO® - © All right reserved - www.boteco.it

Any unauthorized reproduction is strictly forbidden



BOTECO

B - HANDLES