

B322



PA6
+GF

UL94
HB



HANDLE WITH TUBE D. 20 BLACK ANODISED

Materials:

Plastic End Bracket:

Reinforced polyamide. Oils and greases resistant.

Tube:

Aluminum alloy 6060.

Surfaces:

Plastic End Bracket:

Satin. Colour black (RAL 9011).

Tube:

Smooth. Painted with black epoxy powder black (marbled).

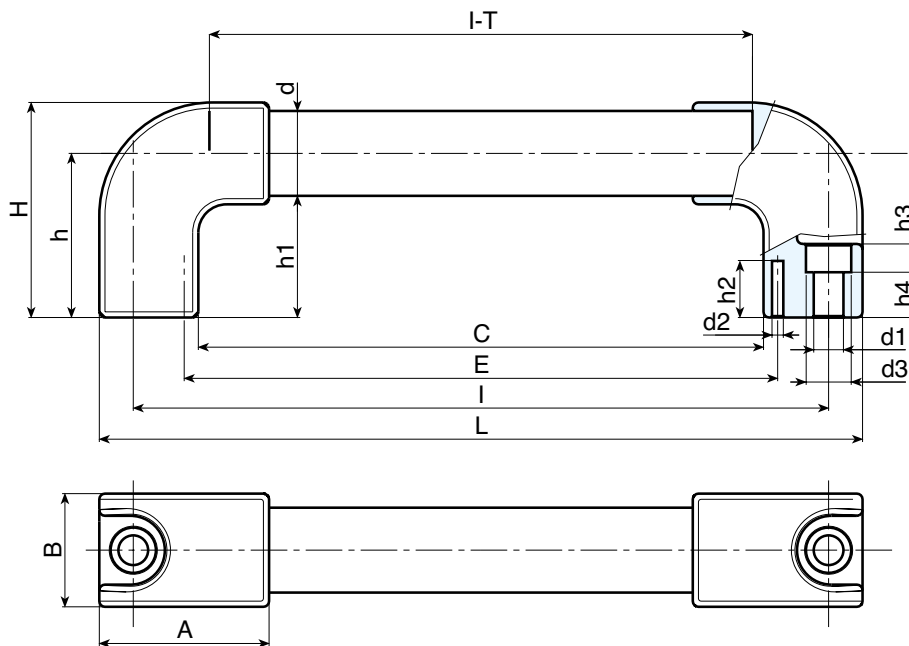
Hole:

Smooth right through hole obtained by moulding the plastic.



SPECIAL REQUEST:

- It is possible to supply the handle with different lengths on request and for quantities.
- It is possible to provide screw cover plugs on request.
- It is possible to supply colours as shown in the table at pag. B-22, on request and for quantities.



art.	L	I	C	E	A	B	T	H	h	h1	h4	h3	h2	d	d1	d3	d2	g	F1 (N)	F2 (N)
B322200.TG2001	220	200	162	174	50	30	45	57	43	33	7	12,5	15	20	8,5	14,5	4	130	2400	1850
B322250.TG2001	270	250	212	224	50	30	45	57	43	33	7	12,5	15	20	8,5	14,5	4	145	1800	1450
B322300.TG2001	320	300	262	274	50	30	45	57	43	33	7	12,5	15	20	8,5	14,5	4	155	1500	1500
B322350.TG2001	370	350	312	324	50	30	45	57	43	33	7	12,5	15	20	8,5	14,5	4	165	1500	1250
B320400.TG2001	420	400	362	374	50	30	45	57	43	33	7	12,5	15	20	8,5	14,5	4	176	1400	850
B322500.TG2001	520	500	462	474	50	30	45	57	43	33	7	12,5	15	20	8,5	14,5	4	200	1000	800
B322600.TG2001	620	600	562	574	50	30	45	57	43	33	7	12,5	15	20	8,5	14,5	4	225	900	750
B322700.TG2001	720	700	662	674	50	30	45	57	43	33	7	12,5	15	20	8,5	14,5	4	250	600	600

B - HANDLES

ver. BUK.10-0511



BOTECA

B - 20

Presumable presence in the stock in %

(☺) 90% (☹) 40% (⊖) 5% (⊕)

www.boteco.it - © All right reserved - BOTECA®

Any unauthorized reproduction is strictly forbidden

HANDLE WITH TUBE D. 30 BLACK ANODISED

B332



Materials:

Plastic End Bracket:

Reinforced polyamide. Oils and greases resistant.

Tube:

Aluminum alloy 6060.

Surfaces:

Plastic End Bracket:

Satin. Colour black (RAL 9011).

Tube:

Smooth. Painted with black epoxy powder black (marbled).

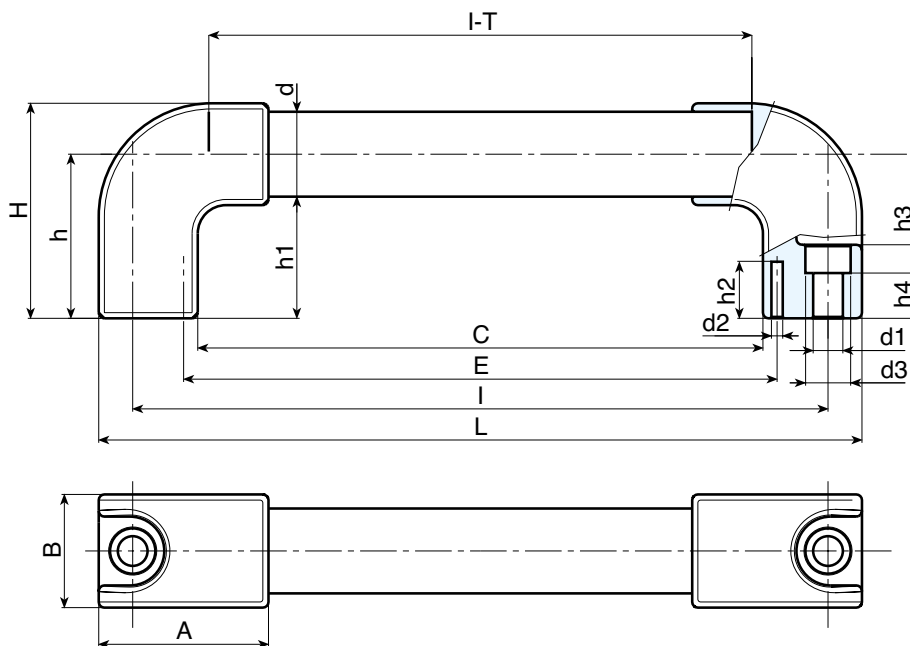
Hole:

Smooth right through hole obtained by moulding the plastic.



SPECIAL REQUEST:

- It is possible to supply the handle with different lengths on request and for quantities.
- It is possible to provide screw cover plugs on request.
- It is possible to supply colours as shown in the table at pag. B-22, on request and for quantities.



☺	art.	L	I	C	E	A	B	T	H	h	h1	h4	h3	h2	d	d1	d3	d2	g	F1 (N)	F2 (N)
☺	B332200.TG3001	224	200	154	164	60	40	54	77	58	43	12	15	19	30	10,5	16	4	235	3400	2900
☺	B332250.TG3001	274	250	204	214	60	40	54	77	58	43	12	15	19	30	10,5	16	4	250	3800	3200
☺	B332300.TG3001	324	300	254	264	60	40	54	77	58	43	12	15	19	30	10,5	16	4	270	3200	2900
☺	B332350.TG3001	374	350	304	314	60	40	54	77	58	43	12	15	19	30	10,5	16	4	285	2700	2400
☺	B332400.TG3001	424	400	354	364	60	40	54	77	58	43	12	15	19	30	10,5	16	4	305	2400	2200
☺	B332500.TG3001	524	500	454	464	60	40	54	77	58	43	12	15	19	30	10,5	16	4	340	1900	1700
☺	B332600.TG3001	624	600	554	564	60	40	54	77	58	43	12	15	19	30	10,5	16	4	370	1600	1400
☺	B332700.TG3001	724	700	654	664	60	40	54	77	58	43	12	15	19	30	10,5	16	4	405	1400	1250

Presumable presence in the stock in %

(☺) 90% (☹) 40% (⊖) 5% (⊕)

BOTECO® - © All right reserved - www.boteco.it

Any unauthorized reproduction is strictly forbidden



BOTECO