

E519



PA6
+GF

UL94
HB



INDEXED CRANK HANDLE WITH THREADED INSERT AND REVOLVING AND FOLDING HANDLE

Material: Reinforced polyamide. Oils and greases resistant.

Surface: Satin.

Colour: Black (RAL 9011).

Main Insert:

Zinc plated steel blind threaded bush.

Side Insert: Brass right through threaded bush.

Spring: Zinc plated steel spring.

Fixing Screw:

Black-oxyde treated screw with head for fitting screwdriver.

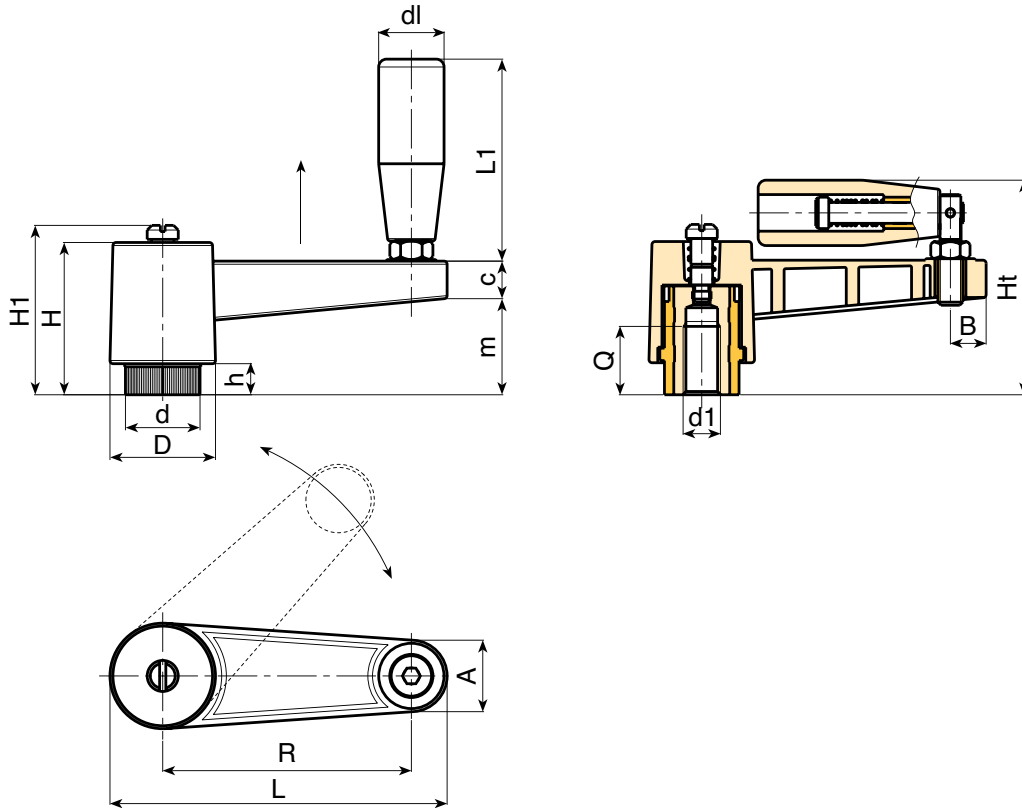
Side Handle:

Revolving handle and folding Art. M136.



SPECIAL REQUESTS:

- It is possible to supply the inserts in different materials, on request and for quantities.
- It is possible to supply arm and handle with colours as shown in the table at pag. 19, on request and for quantities.



Art.	L	R	H	D	d	m	c	A	B	h	H1	Ht	d1	Q	dl	L1	g
E519065.TM0801	86	65	46	27	19	29	13	17	9	10	-	66,5	M08	18	20	54	104
E519065.TM1001	86	65	46	27	19	29	13	17	9	10	-	66,5	M10	17	20	54	102
E519065.TM1201	86	65	46	27	19	29	13	17	9	10	-	66,5	M12	17	20	54	100
E519080.TM1201	108	80	50	34	24,5	32	13	22	11,5	10,5	53	75	M12	22	25	75	185
E519080.TM1401	108	80	50	34	24,5	32	13	22	11,5	10,5	53	75	M14	23	25	75	180
E519080.TM1601	108	80	50	34	24,5	32	13	22	11,5	10,5	53	75	M16	20	25	75	174
E519110.TM1201	138	110	50	34	24,5	33	13	22	11,5	11	53	75	M12	20	25	75	199
E519110.TM1401	138	110	50	34	24,5	33	13	22	11,5	11	53	75	M14	20	25	75	220
E519110.TM1601	138	110	50	34	24,5	33	13	22	11,5	11	53	75	M16	20	25	75	225

