

INDEXED CRANK HANDLE WITH SMOOTH INSERT AND REVOLVING AND FOLDING HANDLE

E521



PA6
+GF

UL94
HB



Material: Reinforced polyamide. Oils and greases resistant.

Surface: Satin.

Colour: Black (RAL 9011).

Main Insert:

Zinc plated steel blind bored bush with H11 tolerance.

Side Insert: Brass right through threaded bush.

Spring: Zinc plated steel spring.

Fixing Screw:

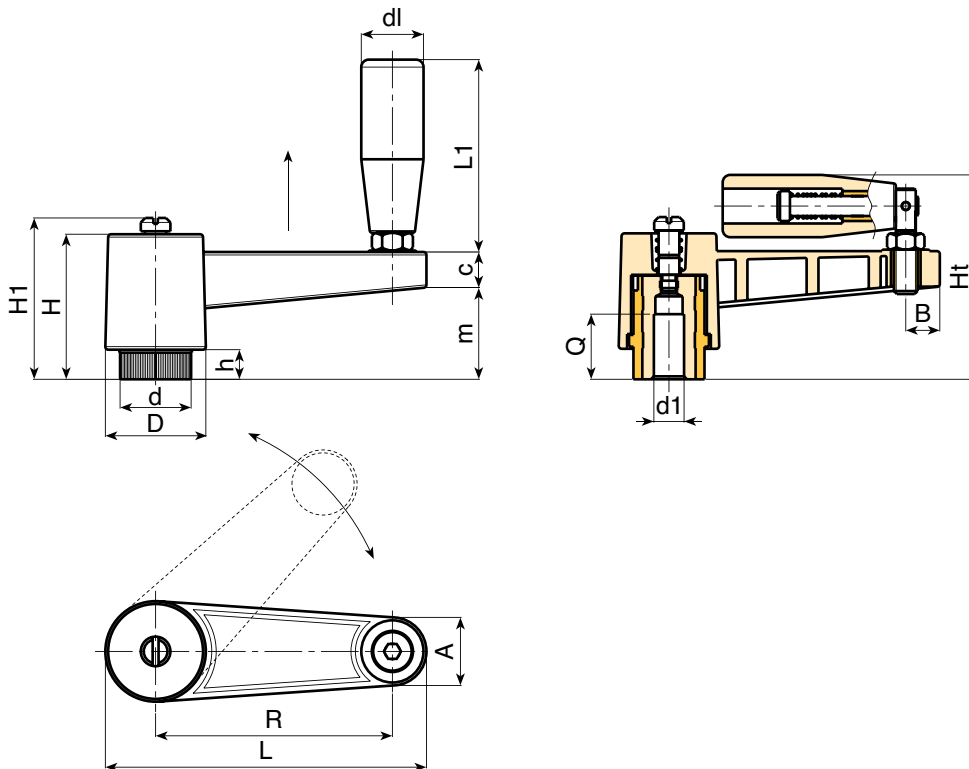
Black-oxyde treated screw with head for fitting screwdriver.

Side Handle:

Revolving and folding handle Art. M136.

SPECIAL REQUESTS:

- It is possible to supply the inserts in different materials, on request and for quantities.
- It is possible to supply arm and handle with colours as shown in the table at pag. 19, on request and for quantities.



Art.	L	R	H	D	d	m	c	A	B	h	H1	Ht	d1 H11	Q	dl	L1	g
E521065.TD0801	86	65	46	27	19	29	13	17	9	10	-	66,5	D08	22	20	54	105
E521080.TD1001	108	80	50	34	24,5	32	13	22	11,5	10,5	53	75	D10	24	25	75	190
E521080.TD1201	108	80	50	34	24,5	32	13	22	11,5	10,5	53	75	D12	23	25	75	188
E521110.TD1201	138	110	50	34	24,5	33	13	22	11,5	11	54	75	D12	28	25	75	220
E521110.TD1401	138	110	50	34	24,5	33	13	22	11,5	11	54	75	D14	26	25	75	225

Presumable presence in the stock in %

(🏠) 90% (☺) 40% (☹) 5% (⊖)

BOTECO® - © All right reserved - www.boteco.it

Any unauthorized reproduction is strictly forbidden



BOTECO

E - 19

**E - FIXED AND INDEXED
CRANK HANDLES**

ver. EUK.11-0812