

# SOLID 6 LOBE HANDWHEEL WITH STAINLESS STEEL MALE THREADED STUD

**F178 CIN**

+135°  
-20°

PA6  
+GF

UL94  
HB

ROHS

**INOX**

**Material:**

Reinforced polyamide.  
Oils and greases resistant.

**Surface:**

Satin.

**Colour:**

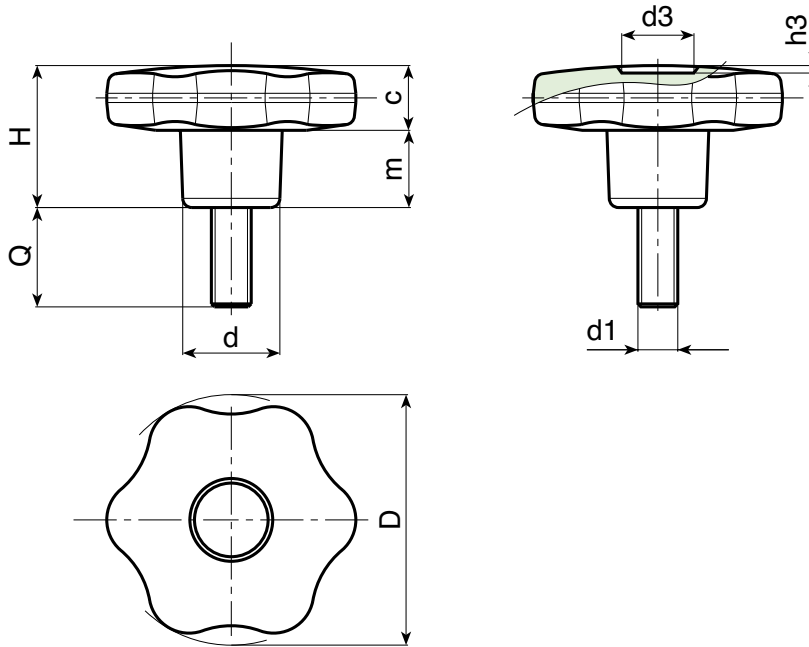
Black (RAL 9011).

**Main Insert:**

Stainless steel threaded stud (AISI 304) (tolerance 6g).

**SPECIAL REQUESTS:**

- It is possible to supply inserts in different lengths or by special design, on request and for quantities.
- It is possible to supply colours as shown in the table on page F-35, on request and for quantities.



Art.	D	H	d	c	m	d3	h3	LM	d1 6g	Q	g
F17830.TM05X..01CIN	30	22	15	11	11	9	1,5	80	M05	16-30	14-16
F17830.TM06X..01CIN	30	22	15	11	11	9	1,5	80	M06	16-30	16-18
F17830.TM08X..01CIN	30	22	15	11	11	9	1,5	80	M08	20-30-40	21-25-28
F17830.TM10X..01CIN	30	22	15	11	11	9	1,5	80	M10	20-30-40	28-33-39
F17840.TM06X..01CIN	40	24,5	17	12	12,5	12	1	130	M06	16-30	25-27
F17840.TM08X..01CIN	40	24,5	17	12	12,5	12	1	130	M08	20-30-40	30-33-36
F17840.TM10X..01CIN	40	24,5	17	12	12,5	12	1	130	M10	20-30-40	37-41-45
F17850.TM08X..01CIN	50	29	20	14	15	14,5	1,5	130	M08	20-30-40	49-52-55
F17850.TM10X..01CIN	50	29	20	14	15	14,5	1,5	130	M10	20-30-40	55-60-61
F17850.TM12X..01CIN	50	29	20	14	15	14,5	1,5	130	M12	30-40	67-72
F17860.TM08X..01CIN	60	34	24	16	18	18	1,5	130	M08	20-30-40	68-71-74
F17860.TM10X..01CIN	60	34	24	16	18	18	1,5	130	M10	20-30-40	74-80-85
F17860.TM12X..01CIN	60	34	24	16	18	18	1,5	130	M12	30-40	102-109
F17860.TM14X..01CIN	60	34	24	16	18	18	1,5	130	M14	A.R.	

Enter the stud length choice in the two .. of the article code. Lengths by request with 250 pieces minimum quantity.

LM = Maximum mouldable length.

A.R. = A richiesta. Quantità minima 250 pezzi.

Presumable presence in the stock in %

(☺) 90% (☹) 40% (☹) 5% (☹) 5%

BOTECO® - © All right reserved - www.boteco.it

Any unauthorized reproduction is strictly forbidden



**BOTECO**

**F - SOLID  
LOCKING KNOBS**