

F188 CIN



PA6
+GF

UL94
HB



SOLID CROSS HANDWHEEL WITH FEMALE RIGHT THROUGH THREADED STAINLESS STEEL INSERT

INOX

Material:

Reinforced polyamide.
Oils and greases resistant.

Surface:

Satin.

Colour:

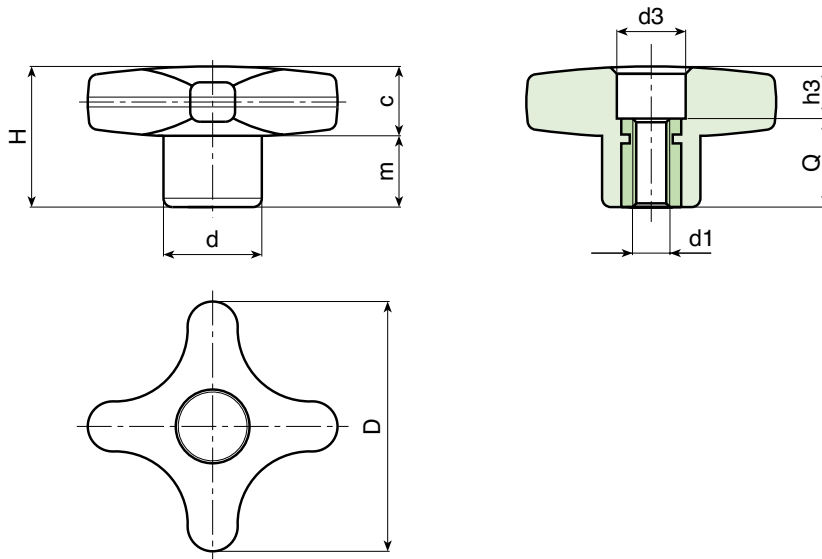
Black (RAL 9011).

Main Insert:

Stainless steel right through threaded bush (AISI 303)
(tolerance 6H).

SPECIAL REQUEST:

- It is possible to supply colours as shown in the table at pag. F-35, on request and for quantities.



Art.	D	H	d	c	m	d3	h3	d1 6H	Q	g
F18832.TM0501PIN	32	23	15	11	11	10	5	M05	18	10
F18832.TM0601PIN	32	23	15	11	11	10	5	M06	18	10,5
F18832.TM0801PIN	32	23	15	11	11	10	5	M08	18	11
F18840.TM0601PIN	40	24,5	16	12	12,5	12	6,5	M06	18	13
F18840.TM0801PIN	40	24,5	16	12	12,5	12	6,5	M08	18	15
F18840.TM1001PIN	40	24,5	16	12	12,5	12	6,5	M10	18	16
F18850.TM0801PIN	50	29	20	14	15	14	11	M08	18	24
F18850.TM1001PIN	50	29	20	14	15	14	11	M10	18	25
F18850.TM1201PIN	50	29	20	14	15	14	11	M12	18	26
F18860.TM0801PIN	60	34	24	15,5	18,5	16	16	M08	18	34
F18860.TM1001PIN	60	34	24	15,5	18,5	16	16	M10	18	38
F18860.TM1201PIN	60	34	24	15,5	18,5	16	16	M12	18	40