

F202



SOLID BAKELITE LOBED KNOB WITH THREADED STUD

Materials:

Phenolic resin.
Resistant to oils and greases.
Resistant to high temperatures.

Surface finish:

Glossy.

Colour:

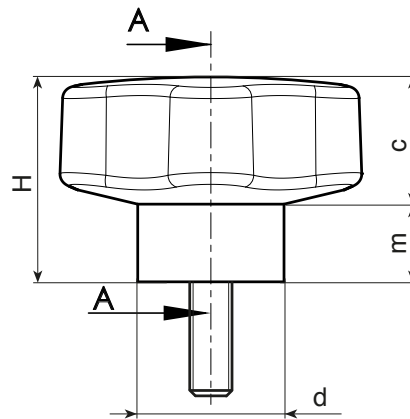
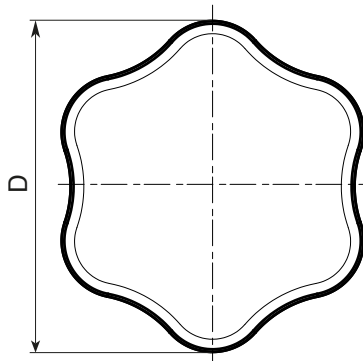
Black (RAL 9011).

Inserts:

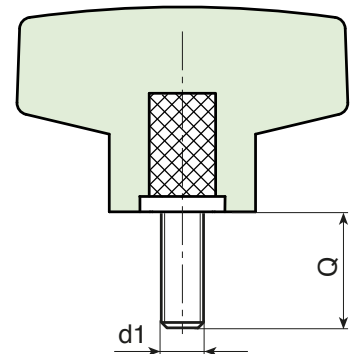
Galvanised steel threaded stud (thread tolerance 6g)

Special requests:

- None.



SEZ. A-A



art.	D	d	H	m	c	LM	d1 _{6g}	Q	g
F20225.BM04X..01	25	25	20	9	11	60	M4	10-20-30-40-50-60	0
F20225.BM05X..01	25	25	20	9	11	60	M5	10-20-30-40-50-60	-
F20225.BM06X..01	25	25	20	9	11	60	M6	10-20-30-40-50-60	0
F20230.BM04X..01	30	30	25	11	14	60	M4	10-20-30-40-50-60	0
F20230.BM05X..01	30	30	25	11	14	60	M5	10-20-30-40-50-60	0
F20230.BM06X..01	30	30	25	11	14	60	M6	10-20-30-40-50-60	0
F20240.BM05X..01	40	40	30	13	17	60	M5	10-20-30-40-50-60	0
F20240.BM06X..01	40	40	30	13	17	60	M6	10-20-30-40-50-60	0
F20240.BM08X..01	40	40	30	13	17	60	M8	10-20-30-40-50-60	0
F20240.BM10X..01	40	40	30	13	17	60	M10	10-20-30-40-50-60	0
F20250.BM06X..01	50	50	33	13	20	60	M6	10-20-30-40-50-60	0
F20250.BM08X..01	50	50	33	13	20	60	M8	10-20-30-40-50-60	0
F20250.BM10X..01	50	50	33	13	20	60	M10	10-20-30-40-50-60	0
F20250.BM12X..01	50	50	33	13	20	60	M12	10-20-30-40-50-60	0
F20260.BM08X..01	60	60	37	15	22	60	M8	10-20-30-40-50-60	0
F20260.BM10X..01	60	60	37	15	22	60	M10	10-20-30-40-50-60	0
F20260.BM12X..01	60	60	37	15	22	60	M12	10-20-30-40-50-60	0
F20260.BM14X..01	60	60	37	15	22	60	M14	10-20-30-40-50-60	0
F20270.BM10X..01	70	70	41	17	24	60	M10	10-20-30-40-50-60	0
F20270.BM12X..01	70	70	41	17	24	60	M12	10-20-30-40-50-60	0
F20270.BM14X..01	70	70	41	17	24	60	M14	10-20-30-40-50-60	0
F20270.BM16X..01	70	70	41	17	24	60	M16	10-20-30-40-50-60	0
F20280.BM12X..01	80	80	47	19	28	60	M12	10-20-30-40-50-60	0
F20280.BM14X..01	80	80	47	19	28	60	M14	10-20-30-40-50-60	0
F20280.BM16X..01	80	80	47	19	28	60	M16	10-20-30-40-50-60	0

Enter the selected stud length in place of the two dots . . in the item code.

A.R. = Upon request, for a minimum of 150 pieces.

LM = Maximum mouldable length.



Stock availability as % (🛒)
90% (●) - 40% (●) - 5% (●)