

F271



QUICK RELEASE STAR HANDWHEEL WITH STEEL HUB AND THREADED HOLE

Materials:

Reinforced polyamide.
Resistant to oils and greases.

Surface finish:

Satin.

Colour:

Black (RAL 9011).

Inserts:

F271:

Galvanised steel insert with threaded through hole, with groove for quick release.

F271CIN:

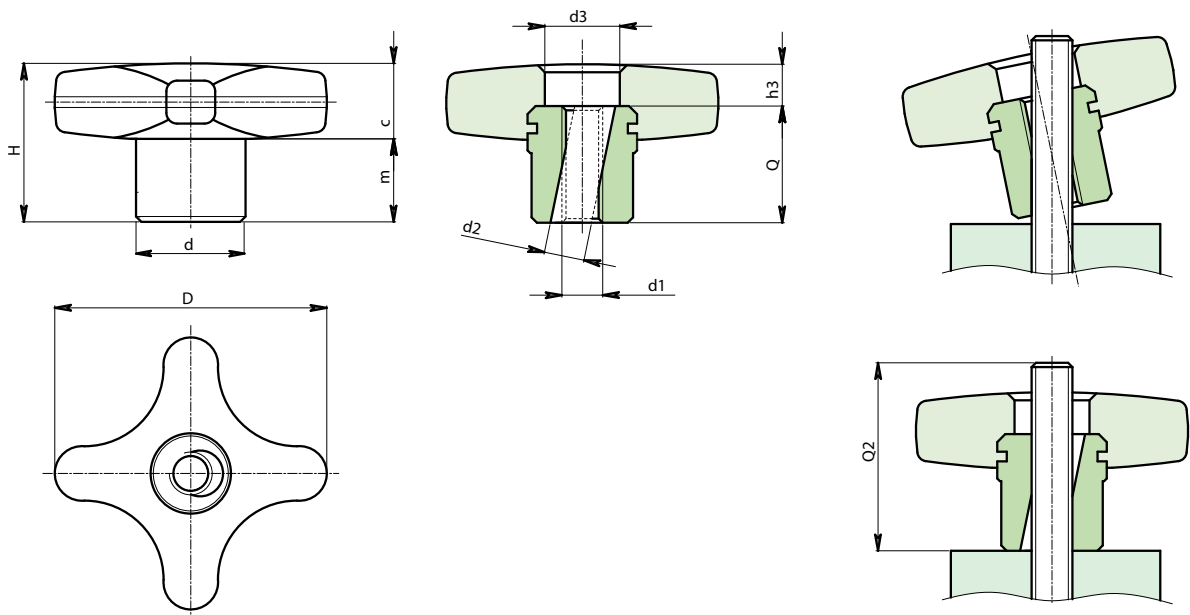
Stainless steel insert (Aisi 303) with threaded through hole, with groove for quick release.

Special Requests:

- None.

ATTENTION:

TO GUARANTEE CORRECT OPERATION OF THE QUICK RELEASE HANDWHEEL, THE THREADED STUD MUST HAVE A MINIMUM LENGTH EQUAL TO Q2.



Version F271: Galvanised steel hub.

Art.	D	d	d2	d3	H	h3	m	c	d1	Q	Q2	g
F27140.TM0801P	40	16	8.5	14	26	4	14	12	M8	22	35	31
F27150.TM1001P	50	20	10.5	18	34	4	20	14	M10	30	43	63

Version F271 PIN: Stainless steel hub (Aisi 303).

Art.	D	d	d2	d3	H	h3	m	c	d1	Q	Q2	g
F27140.TM0801PIN	40	16	8.5	14	26	4	14	12	M8	22	35	31
F27150.TM1001PIN	50	20	10.5	18	34	4	20	14	M10	30	43	63

INOX



Stock availability as % (🛒)
90% (●) - 40% (●) - 5% (●)