

F275-F275CIN



PA6
+GF

UL94
HB



SOLID 6 LOBE HANDWHEEL WITH STEEL/STAINLESS STEEL HUB AND THREADED HOLE

Material:

Reinforced polyamide.
Oils and greases resistant.

Surface:

Satin.

Colour:

Black (RAL 9011).

Inserts:

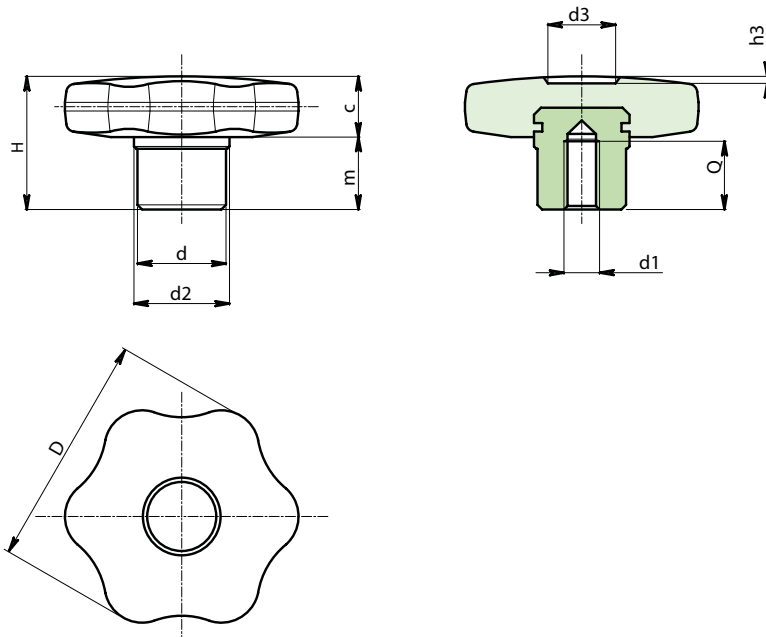
F275: Zinc plated steel insert with female blind threaded hole (thread tolerance 6H).

F275 CIN: Stainless steel (AISI 303) insert with female blind threaded hole (thread tolerance 6H).



SPECIAL REQUESTS:

- It's possible to supply the inserts with d1 bore by customer design, on request and for quantities.
- It is possible to supply colours as shown in the table on page F-35, on request and for quantities.



Version F275: Zinc plated steel

Art.	D	d	d2	H	m	c	d1 6H	Q	g
F27530.TM0601	30	13	15	22	11	11	M06	12	25
F27540.TM0801	40	15	17	24	12	12	M08	14	39
F27550.TM1001	50	18	20	29	15	14	M10	16	66
F27560.TM1201	60	20	24	34	18	16	M12	20	105

Version F275 CIN: Stainless steel AISI 303

Art.	D	d	d2	H	m	c	d1 6H	Q	g
F27530.TM0601CIN	30	13	15	22	11	11	M06	12	25
F27540.TM0801CIN	40	15	17	24	12	12	M08	14	39
F27550.TM1001CIN	50	18	20	29	15	14	M10	16	66
F27560.TM1201CIN	60	20	24	34	18	16	M12	20	105

INOX

**F - SOLID
LOCKING KNOBS**

ver. FUK.15-0413



BOTECA

F - 12

Presumable presence in the stock in %

(☹) 90% (😊) 40% (😐) 5% (☹)

www.boteco.it - © All right reserved - BOTECA®
Any unauthorized reproduction is strictly forbidden