

ART. F763-F663

3-LOBE HANDWHEEL WITH THREADED THROUGH FEMALE INSERT

MATERIAL:
Reinforced polyamide.
Oils and greases resistant.

SURFACE:
Satin.

COLOUR:
Black (RAL 9011).

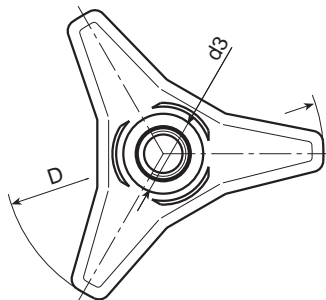
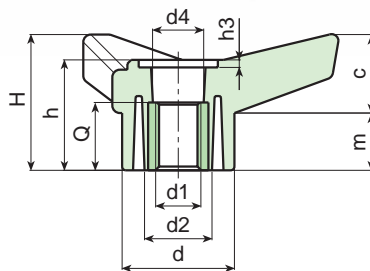
MAIN INSERT:
Brass right through threaded bush.
(*) Zinc plated steel blind threaded bush.

HUB:
F661 Version - solid.
F761 Version - hollow underneath.



SPECIAL REQUESTS:

- It is possible to supply the inserts in different materials, on request and for quantities.
- It is possible to supply colours as shown in the table at page 23, on request and for quantities.



Art.		D	H	h	d	c	m	d2	d3	d4	h3	Q	d1	Weight (gr)	
hollow hub	solid hub														
-	F663	-45 M06	45	21	18	16	11	10	-/-	11	10	1	12,5	M06	11
-	F663	-45 M08	45	21	18	16	11	10	-/-	11	10	1	12,5	M08	11
-	F663	-45 M10	45	21	18	16	11	10	-/-	11	10	1	12,5	M10	11
-	F663	-65 M08	65	28	23,5	22	16,5	11,5	-/-	15,5	13,5	1,5	15,5	M08	25
-	F663	-65 M10	65	28	23,5	22	16,5	11,5	-/-	15,5	13,5	1,5	15,5	M10	26
-	F663	-65 M12	65	28	23,5	22	16,5	11,5	-/-	15,5	13,5	1,5	15,5	M12	28
F763	F663	-85 M08	85	37	30,5	30	21	16	18/-	21	13	2	13,5	M08	50
F763	F663	-85 M10	85	37	30,5	30	21	16	18/-	21	13	2	13,5	M10	52
F763	F663	-85 M12	85	37	30,5	30	21	16	18/-	21	13	2	13,5	M12	52
F763	F663	-105 M10	105	46	37,5	35	26	19	20/-	25	23,5	2	23	M10	88
F763	F663	-105 M12	105	46	37,5	35	26	19	20/-	25	23,5	2	23	M12	88
F763	F663	-105 M14	105	46	37,5	35	26	19	20/-	25	23,5	2	21	M14	91
-	F663	-105 M16	105	46	37,5	35	26	19	-/-	25	23,5	2	21	(*) M16	108
F763	F663	-125 M12	125	54	44	42,5	31	23	26/-	28,5	26	2	31	M12	152
F763	F663	-125 M14	125	54	44	42,5	31	23	26/-	28,5	26	2	31	M14	160
-	F663	-125 M16	125	54	44	42,5	31	23	-/-	28,5	26	2	31	(*) M16	180
-	F663	-125 M18	125	54	44	42,5	31	23	-/-	28,5	26	2	31	(*) M18	186



BOTECA