

PUSH FIT INDICATOR KNOB WITH HALFMOON HOLE

G210



Material:

Reinforced polypropylene.

Surface:

Satin.

Colour:

Black (RAL 9011).

Pointer Colour:

White line obtained by pad printing.

Hole:

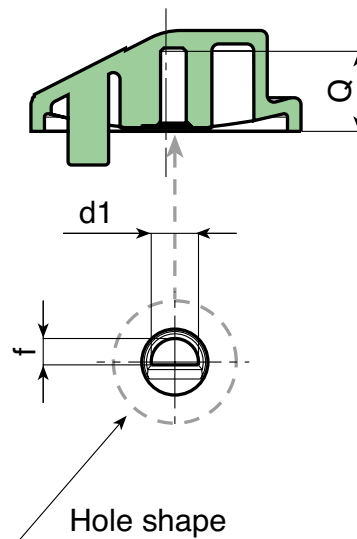
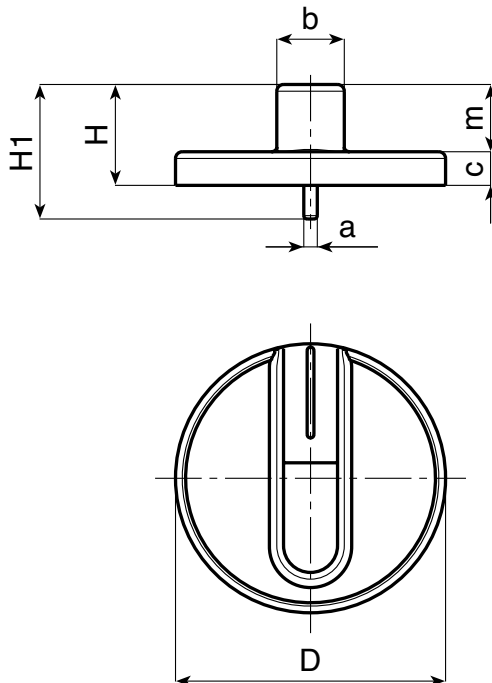
Halfmoon-shaped smooth female hole obtained by moulding.

Fixing:

Push fit.

SPECIAL REQUEST:

- None.



☺	art.	D	H	H1	a	b	c	m	f	d1	Q	⚖ g
☺	G21040.TG0601	39,5	15	20	2	9,5	5	10	3,8	06	12	5

Presumable presence in the stock in %

(☺) 90% (☹) 40% (⊖) 5% (⊕)

BOTECO® - © All right reserved - www.boteco.it
Any unauthorized reproduction is strictly forbidden



BOTECO

**G - LOCKING
HANDWHEELS**