

KNURLED HOLLOWED HANDWHEEL WITH THREADED THROUGH FEMALE INSERT

H765 CIN

+135°
-20°

PA6
+GF

UL94
HB

ROHS

INOX

Material:

Reinforced polyamide.
Oils and greases resistant.

Surface:

Satin.

Colour:

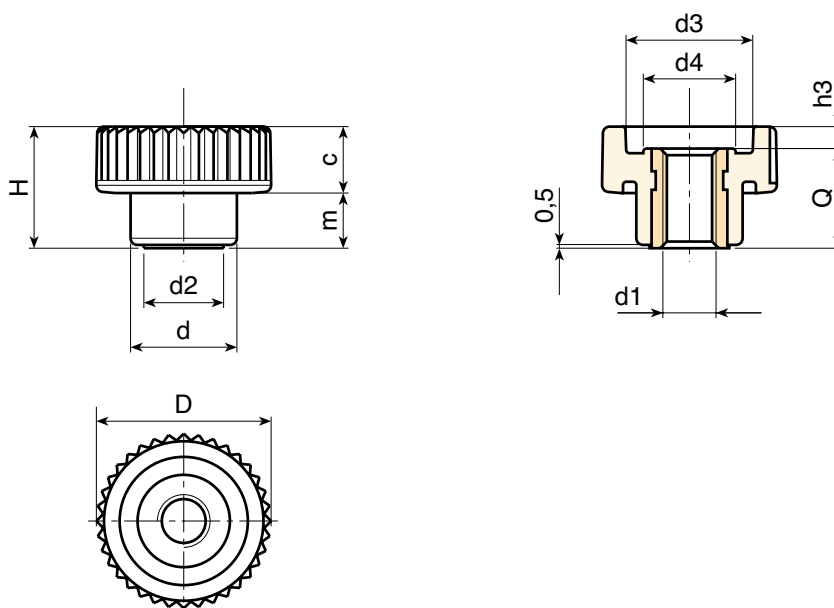
Black (RAL 9011).

Main Insert:

Stainless steel right through threaded bush (AISI 303)
(tolerance 6H).

SPECIAL REQUEST:

- It is possible to supply colours as shown in the table at pag. H-19, on request and for quantities.



art.	D	H	d	m	c	d2	d3	d4	h3	d1 6H	Q	g
H76515.TM0401CIN	15	10,5	10	4,5	6	8	10	7,5	2	M04	8,5	3
H76515.TM0501CIN	15	10,5	10	4,5	6	8	10	7,5	2	M05	8,5	3
H76521.TM0501CIN	21	15	13	6,5	8,5	9,5	15	10,5	2,5	M05	12,5	6
H76521.TM0601CIN	21	15	13	6,5	8,5	9,5	15	10,5	2,5	M06	12,5	6
H76526.TM0601CIN	26	18	16	8,5	9,5	12	19	13	3	M06	15	11,5
H76526.TM0801CIN	26	18	16	8,5	9,5	12	19	13	3	M08	15	11,5
H76533.TM0801CIN	32	23	20	10,5	12,5	15	23	16	5	M08	18	18
H76533.TM1001CIN	32	23	20	10,5	12,5	15	23	16	5	M10	18	18
H76540.TM0801CIN	40	28	25	12,5	15,5	18	28	21	6	M08	22	32
H76540.TM1001CIN	40	28	25	12,5	15,5	18	28	21	6	M10	22	31
H76540.TM1201CIN	40	28	25	12,5	15,5	18	28	21	6	M12	22	34

Presumable presence in the stock in %

(☺) 90% (☹) 40% (☹) 5% (☹) 5%

BOTECO® - © All right reserved - www.boteco.it

Any unauthorized reproduction is strictly forbidden



BOTECO

H - 3

H - KNURLED
HANDWHEELS

ver. HUK.10-0113