

KNURLED HANDWHEEL WITH THREADED STUD

H771



PA6
+GF

UL94
HB



Material:

Reinforced polyamide.
Oils and greases resistant.

Surface:

Satin.

Colour:

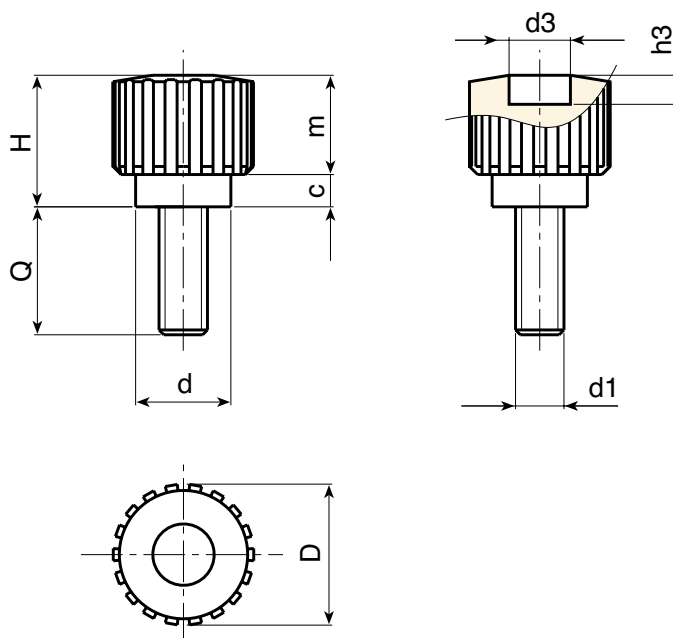
Black (RAL 9011).

Main Insert:

Zinc plated steel threaded stud (tolerance 6g).

SPECIAL REQUESTS:

- It is possible to supply inserts in different lengths or by special design, on request and for quantities.
- It is possible to supply inserts in different materials, on request and for quantities.
- It is possible to supply colours as shown in the table on page H-19, on request and for quantities.



art.	D	H	d	m	c	d3	h3	LM	d1 6g	Q	△ g
H77118.TM04X2501	17,5	17,5	12	4	13,5	9	5	50	M04	25	7
H77118.TM05X3001	17,5	17,5	12	4	13,5	9	5	60	M05	30	8,5
H77118.TM06X3001	17,5	17,5	12	4	13,5	9	5	60	M06	30	10

LM = Maximum mouldable length.

It's possible to have different length, by customers requests. Minimum 250 pieces.

Presumable presence in the stock in %

(🏠) 90% (🌱) 40% (☹️) 5% (🚫)

BOTECO® - © All right reserved - www.boteco.it
Any unauthorized reproduction is strictly forbidden



BOTECO

H - 13

**H - KNURLED
HANDWHEELS**

ver. HUK.10-0113