

CONICAL KNOB WITH THREADED PLASTIC BORE

I108



Material:

Reinforced polyamide.
Oils and greases resistant.

Surface:

Satin.

Colour:

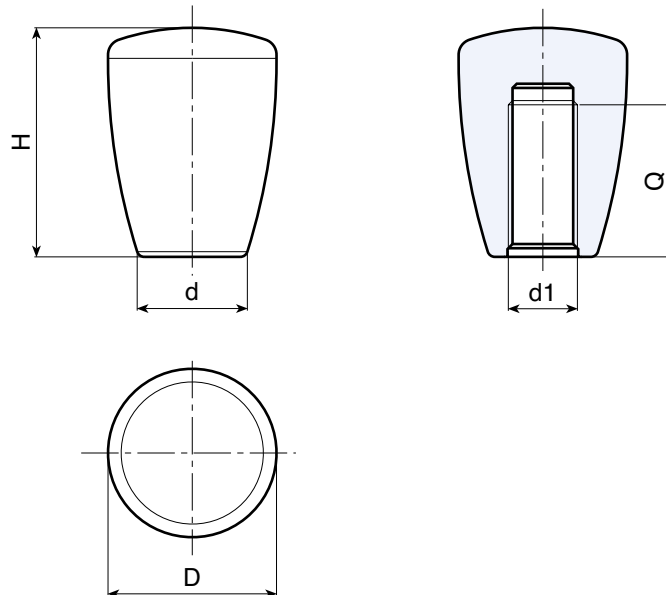
Black (RAL 9011).

Hole:

Female threaded blind hole obtained by moulding the plastic. (tolerance in not applicable).

SPECIAL REQUEST:

- It is possible to supply colours as shown in the table at pag. I-23, on request and for quantities.
(*) ATTENTION: Reduced colour range.



	art.	D	H	d	d1	Q	g
	I10821.TM0401	21	28	13	M04	16	13
	I10821.TM0501	21	28	13	M05	16	12
	I10821.TM0601	21	28	13	M06	16	11
	I10825.TM0501	25	34	17	M05	24	16
	I10825.TM0601	25	34	17	M06	24	16
	I10825.TM0801	25	34	17	M08	24	14
	I10825.TM1001	25	34	17	M10	24	14
	I10832.TM0801	32	43	21	M08	30	32
	I10832.TM1001	32	43	21	M10	30	32
	I10832.TM1201	32	43	21	M12	30	32
	I10843.TM1001	43	58	27	(*) M10	36	80
	I10843.TM1201	43	58	27	(*) M12	36	78
	I10843.TM1401	43	58	27	(*) M14	36	76
	I10843.TM1601	43	58	27	(*) M16	36	74

Presumable presence in the stock in %

90% 40% 5%

BOTECO® - © All right reserved - www.boteco.it
Any unauthorized reproduction is strictly forbidden



BOTECO

**I
HANDGRIPS**