

L251CIN

FULL STAINLESS STEEL WING NUT WITH THREADED STUD



INOX

Materials:

Precision-cast stainless steel, (Aisi 304).

Surface finish:

Satin.

Colour:

Natural

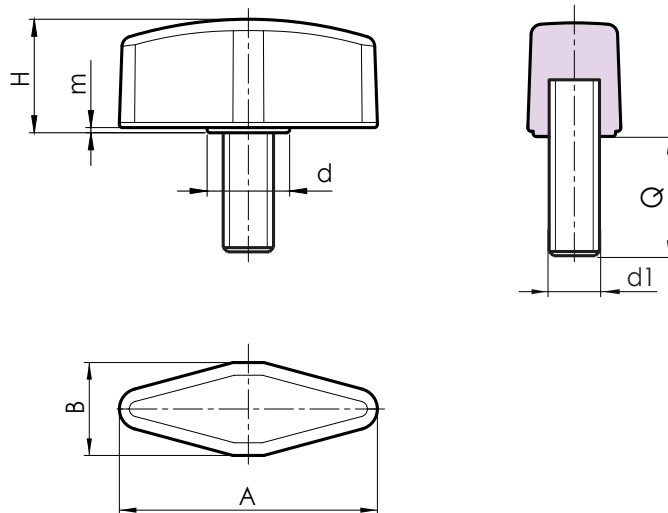
Inserts:

Stainless steel threaded stud (Aisi 303) (thread tolerance 6g).

ATTENTION: The stud is fixed with glue.

Special Requests:

- Upon request and for special quantities inserts can be supplied with customised lengths.
- Upon request and for special quantities the wing nut can be supplied in Aisi 316 stainless steel.



Art.	A	B	H	m	d	d1 _{6g}	Q	g
L25125.HM06X..CIN	25	9	11	0,5	8	M6	16-20-25	11-12-13
L25130.HM08X..CIN	30	11	13.5	0,5	10	M8	16-20-25-32	22-24-26-29
L25136.HM10X..CIN	36	13	15.5	0,5	12	M10	20-30-40	41-46-50

Enter the selected stud length in place of the two dots . . in the item code. Customised stud length available for a minimum of 100 pieces.