

L755



PA6
+GF

UL94
HB



LARGE WINGNUT WITH FEMALE RIGHT THROUGH THREADED INSERT

Material:

Reinforced polyamide.
Oils and greases resistant.

Surface:

Satin.

Colour:

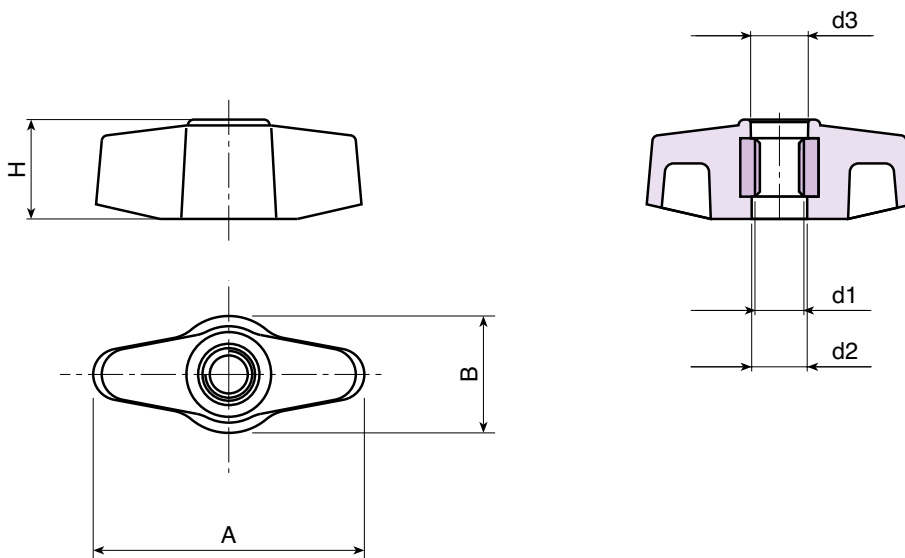
Black (RAL 9011).

Main Insert:

Zinc plated steel right through nut (tolerance 6H).

SPECIAL REQUEST:

- It is possible to supply the inserts in different materials, on request and for quantities.
- It is possible to supply colours as shown in the table at pag. L-27, on request and for quantities.



	Art.	A	B	H	d2	d3	d1 6g	⚖ g
	L75548.TM0601	45	20	17	9,5	10	M06	17
	L75548.TM0801	45	20	17	9,5	10	M08	16