

M145



REVOLVING HANDLE WITH RING NUT

Material:

Reinforced polyamide.
Oils and greases resistant.

Surface:

Satin.

Colour:

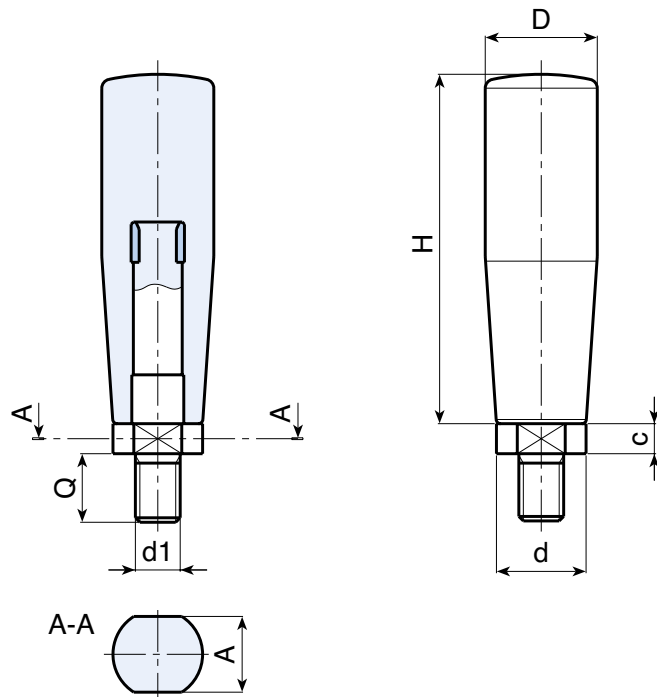
Black (RAL 9011).

Revolving Insert:

Revolving zinc-plated steel threaded stud, with hexagon socket head and brass rotative ring.
(thread tolerance 6g).

SPECIAL REQUEST:

- It is possible to supply colours as shown in the table at pag. M-27, on request and for quantities.



| ☺ | art. | H | D | d | c | A | d1 6g | Q | ⚖ g |
|---|------------------|----|----|----|-----|----|-------|----|-----|
| ☺ | M14550.TM06X1201 | 50 | 20 | 12 | 5 | 10 | M06 | 12 | 32 |
| ☺ | M14560.TM08X1501 | 60 | 23 | 14 | 7 | 13 | M08 | 15 | 74 |
| ☺ | M14570.TM08X1501 | 70 | 25 | 14 | 7 | 13 | M08 | 15 | 82 |
| ☺ | M14570.TM10X1501 | 70 | 25 | 14 | 7 | 13 | M10 | 15 | 86 |
| ☺ | M14580.TM10X1501 | 80 | 26 | 18 | 6,5 | 16 | M10 | 15 | 92 |
| ☺ | M14580.TM12X1501 | 80 | 26 | 18 | 6,5 | 16 | M12 | 15 | 96 |
| ☺ | M14590.TM10X1501 | 90 | 27 | 18 | 6,5 | 16 | M10 | 15 | 104 |
| ☺ | M14590.TM12X1501 | 90 | 27 | 18 | 6,5 | 16 | M12 | 15 | 108 |