

# REVOLVING AND FOLDING HANDLE WITH ROUND STAINLESS STEEL BASE

## M204 CIN



### INOX

#### Material:

Reinforced polyamide.  
Oils and greases resistant.

#### Surface:

Satin.

#### Colour:

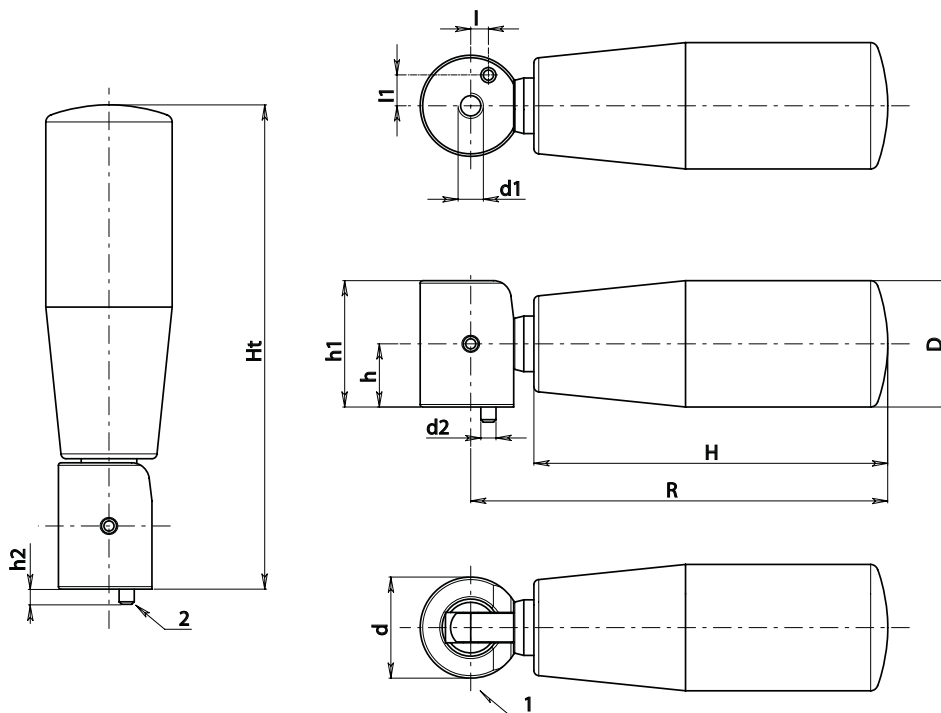
Black (RAL 9011).

#### Inserts:

- (1) Stainless steel (AISI 303) revolving and folding mechanism.
- (2) Stainless steel (AISI 304) reference pin DIN934.
- (3) Stainless steel spring.

#### SPECIAL REQUEST:

- It is possible to supply colours as shown in the table at pag. M-27, on request and for quantities.
- It is possible to supply the mechanism:
  - on black-oxide treatment (change CIN with ZB at the end of the code),
  - on zinc-plated steel treatment (change CIN with CVZ at the end of the code),
  - on AISI 304 (change CIN with CIH at the end of the code).



art.	H	D	d	R	Ht	h	h1	h2	d1	d2	l	l1	g
M20470.TM0501CIN	70	25	20	82,5	96	12,5	25	3	M05	3	3,5	6,1	114

Presumable presence in the stock in %

(☺) 90% (☹) 40% (⊖) 5% (⊕)

BOTECO® - © All right reserved - [www.boteco.it](http://www.boteco.it)

Any unauthorized reproduction is strictly forbidden



## BOTECO

M - 17

### M - TAPERED AND REVOLVING HANDLES

ver. MUK.17-0913