

M511



PE

UL94
HB



KNURLED HANDLE WITH SELF-FIX HOLE

Material:

Blend of polypropylene and thermoplastic rubber TPV.

Surface:

Glossy.

Colour:

Black (RAL 9011).

Hole:

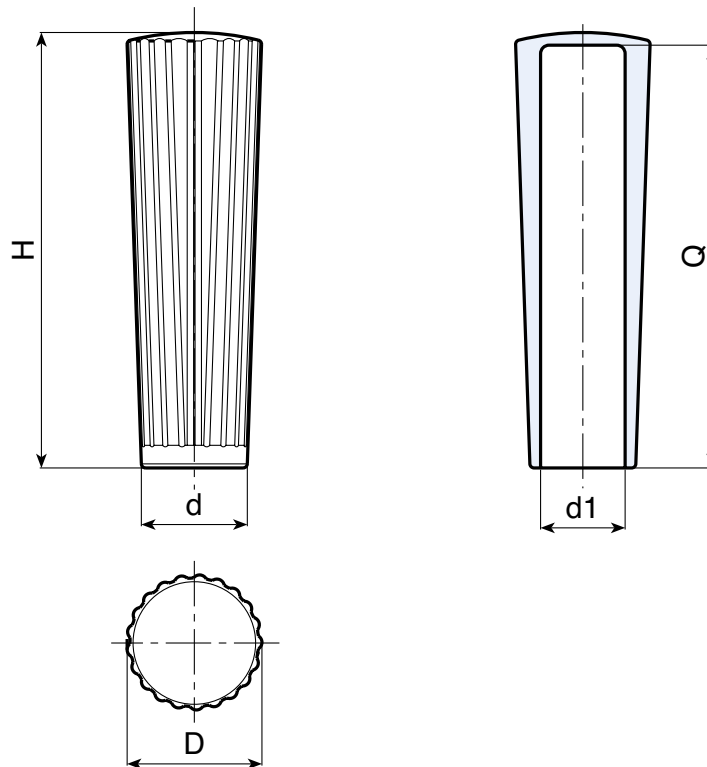
Female smooth hole, obtained by moulding the plastic.

Fixing:

Push fit

SPECIAL REQUEST:

- None.



| art. | H | D | d | d1 | Q | g |
|----------|-----|----|----|----|-----|----|
| M511-105 | 104 | 32 | 25 | 20 | 100 | 32 |