

N740



PA6
+GF

UL94
HB



KNURLED CONTROL KNOB WITH FEMALE THREADED INSERT

Material:

Reinforced and polyamide.
Oils and greases resistant.

Surface:

Satin.

Colour:

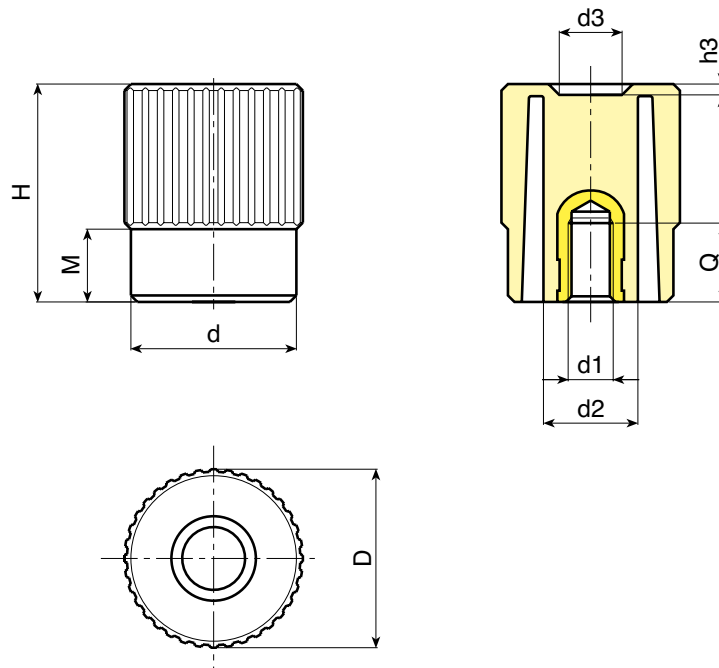
Black (RAL 9011).

Main Insert:

Brass blind threaded bush (tolerance 6H).

SPECIAL REQUESTS:

- It is possible to supply the inserts in different materials, on request and for quantities.
- It's possible to supply the products with colours as shown in the table at page N-19, on request and for quantities.



	Art.	D	H	M	d	d2	d3	h3	d1 6H	Q	g
	N74040.TM0801	41	51	16,5	38	22	14,5	2	M08	20	60
	N74040.TM1001	41	51	16,5	38	22	14,5	2	M10	18	61
	N74040.TM1201	41	51	16,5	38	22	14,5	2	M12	18	62
	N74040.TM1401	41	51	16,5	38	22	14,5	2	M14	18	63