

# MOUNTING FOOT WITH REVOLVING THREADED STUD

**P203**



**Material:**

Polyethylene.

**Surface:**

Satin.

**Colour:**

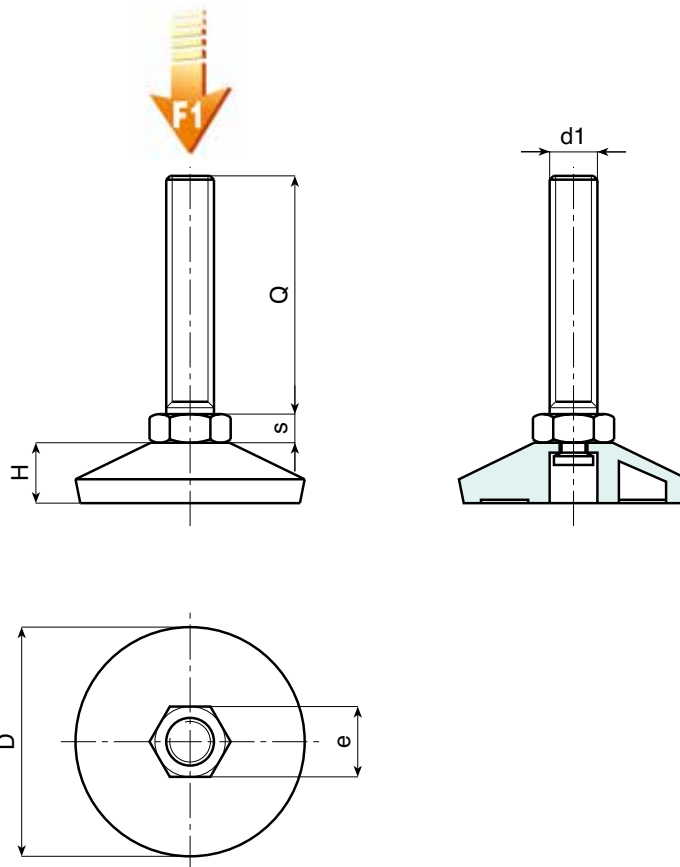
Black (RAL 9011).

**Insert:**

Zinc plated steel revolving threaded stud.

**SPECIAL REQUESTS:**

- None.



	Art.	D	H	e	s	d1	Q	g	F1 (N)
	P20340.TM10X..01	37	11,5	⬡ 17	6,5	M10	40-60	39-49	2000
	P20350.TM10X..01	49	13	⬡ 17	6,5	M10	40-60	44-54	2000

Enter the stud length in the two . . of the code number

Presumable presence in the stock in %

90% 40% 5%

BOTECO® - © All right reserved - [www.boteco.it](http://www.boteco.it)  
Any unauthorized reproduction is strictly forbidden



**BOTECO**

**P - MOUNTING FEET**