

R100

NEW



POLYAMIDE MONOLITHIC WHEEL (WITHOUT RIG)

Materials:

Wheel body:

Polyamide. Resistant to oils and greases.

Tread:

Polyamide. Resistant to oils and greases.

Surface finish:

Smooth.

Colour:

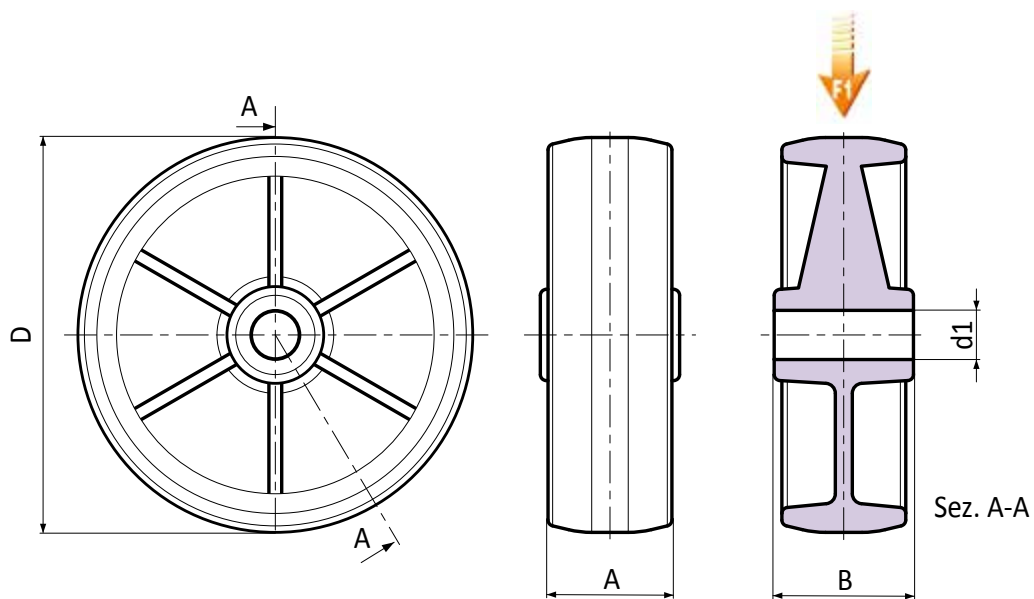
Natural white.

Wheel rotation:

The hole for the pivot pin is formed by plastic moulding.

Special requests:

- Upon request and for a minimum of 20 pieces, the wheel can be supplied with a needle roller cage, (replace code no. R100 with code no. R130).



art.	D	A	B	d1	g	F1 (Kg)
R100080.T30D12	80	30	39	12	60	100
R100100.T30D12	100	30	39	12	96	130
R100125.T39D15	125	39	44	15	206	200
R100150.T40D20	150	40	45	20	300	250
R100175.T45D20	175	45	58	20	488	300
R100200.T50D20	200	50	58	20	576	380