

# ART. R533

## SMALL TERMINAL BLOCK COVER WITH CABLE ENTRY

**MATERIAL:**

Impact resistant and self-extinguishing Polystyrene.

**SURFACE:**

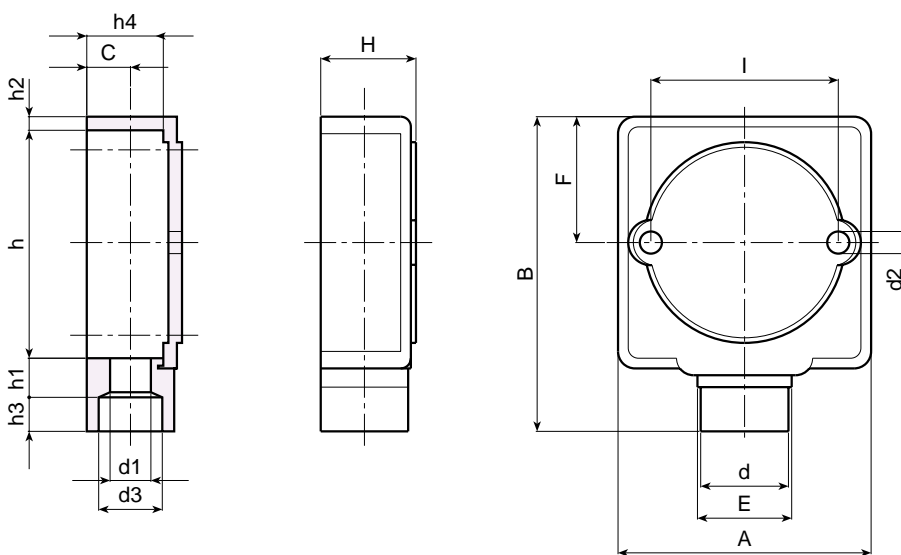
Glossy.

**COLOUR:**

Black (RAL 9011).

**SPECIAL REQUESTS:**

- None.



Art.	A	B	H	I	C	E	F	d	d1	d2	d3	h	h1	h2	h3	h4	Weight (gr)
R533-76	75	92	29	53	13	28	37	26	12,5	6,5	19	67	11,5	4	10	23	57



**BOTECO**