

ART. R553 AP

SPINDLE GUARD OPEN

MATERIAL:

Reinforced polyamide.
Oils and greases resistant.

SURFACE:

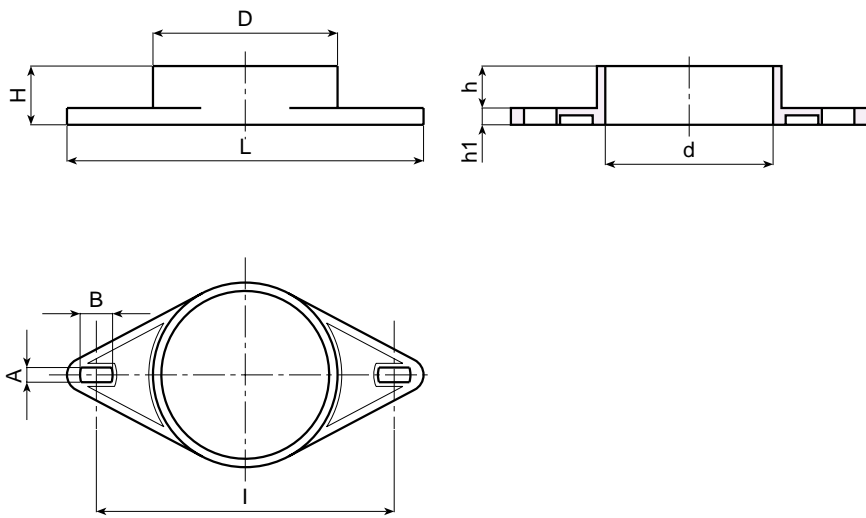
Glossy.

COLOUR:

Black (RAL 9011).

SPECIAL REQUESTS:

- None.



Art.	H	D	d	L	l	A	B	h	h1	Weight (gr)
R553-170AP	28	88	80	170	142	7	15	8	20	50