

# ART. S601

## DUMPER PLUG (FOOT)

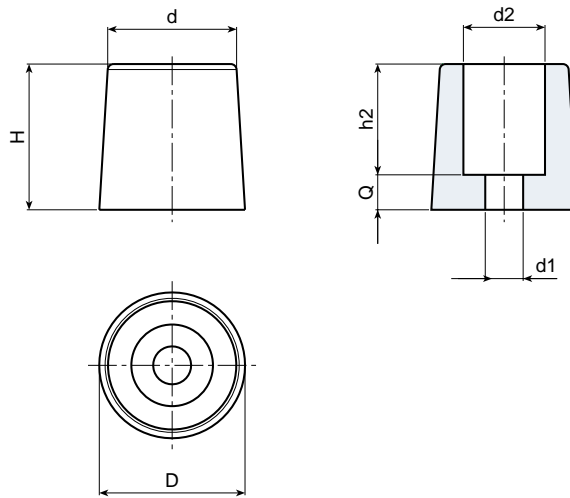
**MATERIAL:**  
Polyethylene.

**SURFACE:**  
Satin.

**COLOUR:**  
Black (RAL 9011).

**SPECIAL REQUESTS:**

- None.



Art.	D	H	d	d2	h2	Q	d1	Weight (gr)
S601-22	23	17,5	21	11	8	9,5	4	13
S601-25	25	25	22	14	19	6,5	6,5	17



**BOTECA**