

ART. S860

FRONT TORCH CONNECTOR GUARD

MATERIAL:

Reinforced polyamide.
Oils and greases resistant.

SURFACE:

Satin.

COLOUR:

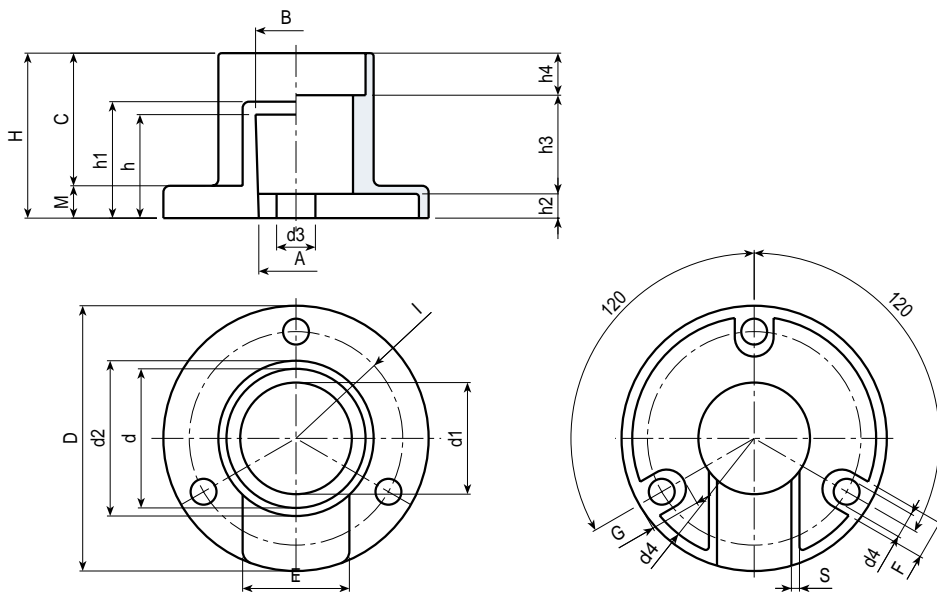
Black (RAL 9011).

HOLE :

Smooth right through hole obtained by moulding the plastic.

SPECIAL REQUESTS:

- None.



Art.	D	H	A	B	C	E	F	G	I	M	S	h	h1	h2	h3	h4	d	d1	d2	d3	d4	Weight (gr)
S860	82	51	23	25	41	34,5	12	15,5	33	10	2,5	32	36	7,5	30,5	13	43	34,5	50	12	8	65



BOTECA