

ART. T253

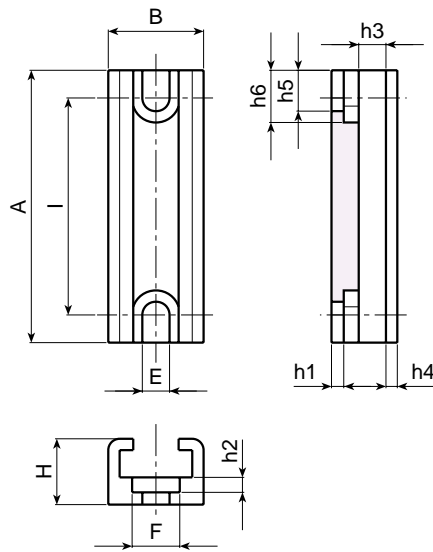
PANEL PUSHER HOLDER

MATERIAL:
Reinforced polyamide.
Oils and greases resistant.

SURFACE:
Satin.

COLOUR:
Black (RAL 9011).

SPECIAL REQUESTS:
• None.



Art.	A	B	H	I	E	F	h1	h2	h3	h4	h5	h6	Weight (gr)
T253-60	60	21,5	14,5	48	6,5	10,5	2,7	3,3	6	2,5	9	11,5	13

