

# ALUMINIUM CONTROL HANDWHEEL

# W296



AL

PA6  
+GF

UL94  
HB



**Material:**

Die cast aluminium.

**Surface:**

Satin finish surface, except for the low roughness turned areas labeled with "T".

**Colour:**

Nickel-plated ( galvanic treatment).

**Alternative Colour:**

Painted Black (final code letter V ex.: W296080.AD08V).

**Tap:**

Black polyamide (RAL 9011 cod. 01).

**Alternative Cap Colours:**

Black version, Grey polyamide (RAL 7035 cod. 13).

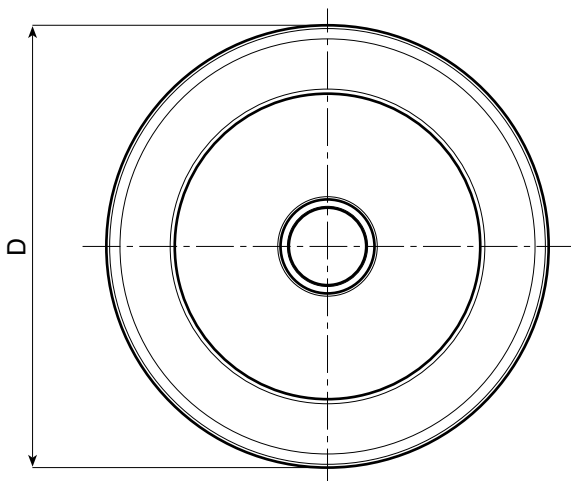
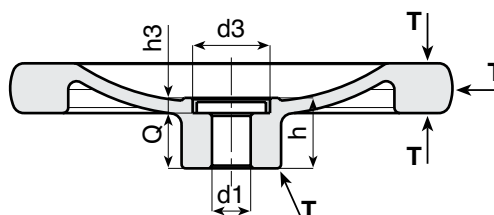
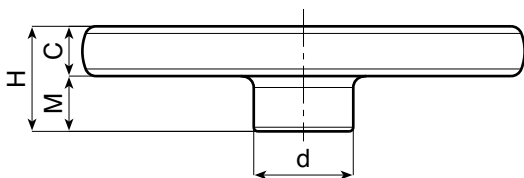
**Hole:**

Female right through hole with tolerance class H11.

*For fixing system, or execution of keyway or square holes, please refer to the technical notes attached to the catalogue.*

**SPECIAL REQUESTS:**

- It's possible to supply the handwheels with customised hole d1, on request and for quantities.



Art.	d	D	H	m	c	h	h3	d3	d1 H7	Q	g
W296080.AD08H	26	80	26	14	12	21	5,5	20	08	15,5	142
W296100.AD10H	28	100	28	14	14	21,5	5,5	20	10	16	240
W296130.AD12H	36	130	35	19	16	25,5	5,5	28	12	20	435
W296160.AD14H	36	160	38	20	18	25,5	5,5	28	12	20	685
W296200.AD16H	42	200	44	24	20	31,5	6	34	16	25,5	1185

**Attention:** bore d1 (H11 tolerance) could be produced by request, with 50 pieces minimum.

Presumable presence in the stock in %

(🏠) 90% (☺) 40% (☹) 5% (☹)

BOTECO® - © All right reserved - [www.boteco.it](http://www.boteco.it)

Any unauthorized reproduction is strictly forbidden



**W  
METAL SERIES**

ver. WUK.17-0915