

W634CIN

FULL STAINLESS STEEL QUICK RELEASE DETENT PIN



INOX

Materials:

- (1) Turned stainless steel body (Aisi 303).
- (2) Turned stainless steel pin (Aisi 303).
- (3) Stainless steel spring (Aisi 301).
- (4) Hardened stainless steel balls (Aisi 440C).

Surface finish:

Natural.

Colour:

Natural.

ATTENTION:

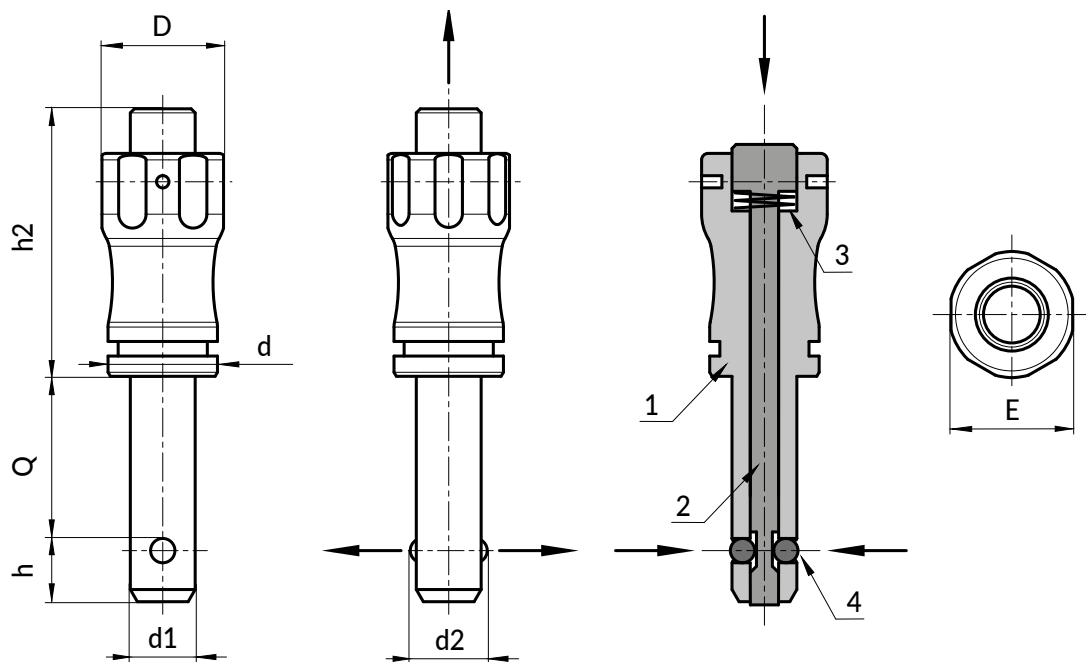
> We recommend an H11 tolerance for the plunger stem bore.

Notes:

The quick release detent pin is a quick and easy way to connect components or secure pieces to be machined.

Special Requests:

- None.



Version W634CIN: without ring

Art.	D	d	d2	E	h	h2	d1 _{H9}	Shear strength to double shear max. kN	Q _(+0.6)	g
W634011.HD05X..CIN	11.5	10	5.5	11	5.9	25	5	15	10-15-20-25-30	12-12-13-16-19
W634011.HD06X..CIN	11.5	10	6.85	11	6.8	25	6	22	10-15-20-25-30-35-40-45-50	13-13-13.5-14-14.5-17.5-21-23-26
W634015.HD08X..CIN	15.5	13.5	9.5	15	7.8	33	8	38	20-25-30-35-40-45-50	26-27-27.5-28-28.5-28.5-30
W634015.HD10X..CIN	15.5	13.5	12	15	8.9	33	10	60	20-25-30-35-40-45-50-60	27.5-28-28.5-29-29.5-30-30.5-31.5
W634022.HD12X..CIN	22	20	14.5	21	9.9	39.5	12	86	25-30-35-40-45-50-60-70-80	62.5-63.5-64.5-65.5-66-75.5-77.5-79-81
W634022.HD16X..CIN	22	20	19	21	13.1	39.5	16	153	30-35-40-45-50-60-70-80	74-75-76-77-78-80.5-83-85

W635CIN

FULL STAINLESS STEEL QUICK RELEASE DETENT PIN - WITH RING



INOX

Materials:

- (1) Turned stainless steel body (Aisi 303).
- (2) Turned stainless steel pin (Aisi 303).
- (3) Stainless steel spring (Aisi 301).
- (4) Hardened stainless steel balls (Aisi 440C).
- (5) Stainless steel spring ring (Aisi 302).

Surface finish:

Natural.

Colour:

Natural.

Notes:

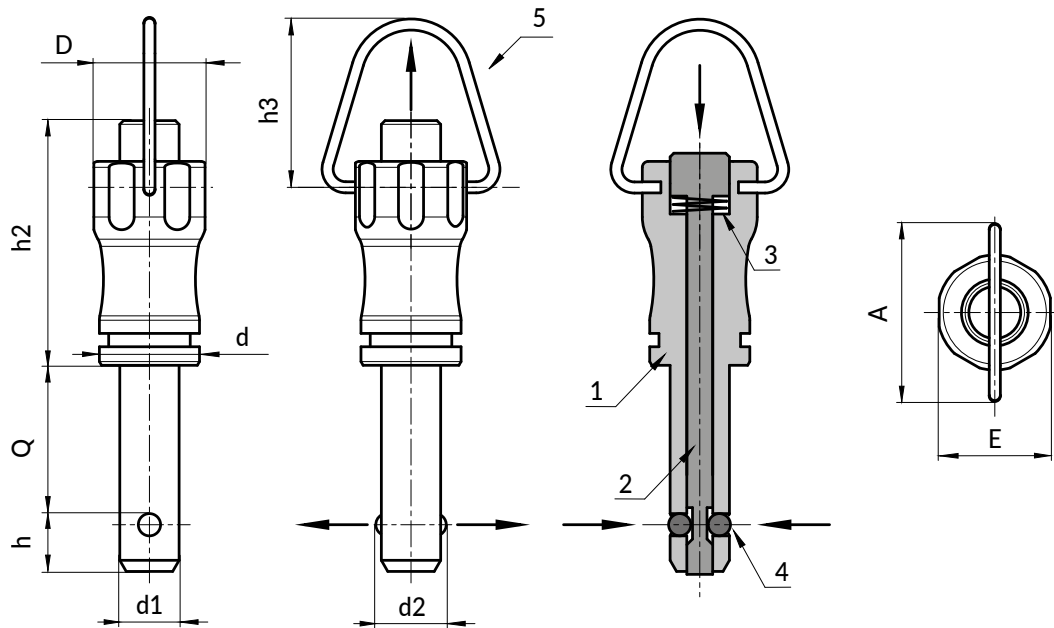
The quick release detent pin is a quick and easy way to connect components or secure pieces to be machined.

ATTENTION:

> We recommend an H11 tolerance for the plunger stem bore.

Special Requests:

- None.



Version W635 CIN: with stainless steel ring (Aisi 303)

Art.	D	d	d2	A	E	h	h2	h3	d1H9	Shear strength to double shear strength max. kN	Q(+0.6)	g
W635011.HD05X..CIN	11.5	10	5.5	18	11	5.9	35	16.5	5	15	10-15-20-25-30	12-12-13-16-19
W635011.HD06X..CIN	11.5	10	6.85	18	11	6.8	35	16.5	6	22	10-15-20-25-30-35-40-45-50	13-13-13.5-14-14.5-17.5-21-23-26
W635015.HD08X..CIN	15.5	13.5	9.5	24	15	7.8	46.5	23	8	38	20-25-30-35-40-45-50	26-27-27.5-28-28.5-28.5-30
W635015.HD10X..CIN	15.5	13.5	12	24	15	8.9	46.5	23	10	60	20-25-30-35-40-45-50-60	27.5-28-28.5-29-29.5-30-30.5-31.5
W635022.HD12X..CIN	22	20	14.5	33	21	9.9	59	30	12	86	25-30-35-40-45-50-60-70-80	62.5-63.5-64.5-65.5-66-75.5-77.5-79-81
W635022.HD16X..CIN	22	20	19	33	21	13.1	59	30	16	153	30-35-40-45-50-60-70-80	74-75-76-77-78-80.5-83-85

Enter the selected stud length in place of the two dots . . in the item code.

