

W701



T LEVER WITH FIXED HANDLE AND THREADED BORE

Material:

Steel with resistance class 5.8.

Surface:

Low roughness turned surface.

Colour:

Black-oxide (surface treatment).

Handle Fastening method:

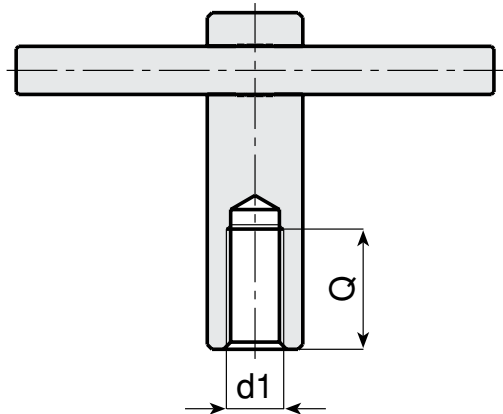
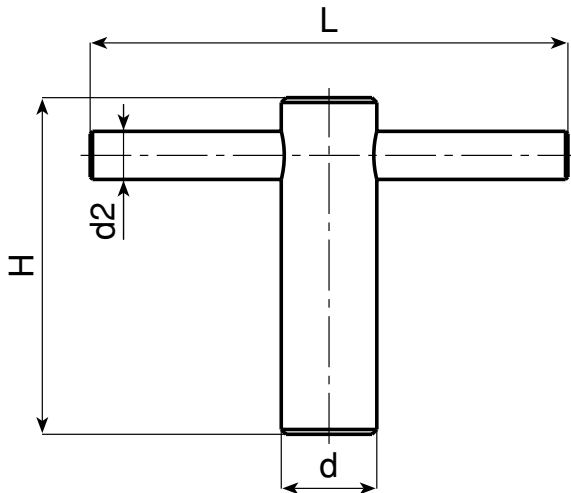
Push-fit. Cannot be moved or removed.

Hole:

Female threaded blind hole with tolerance class 6H.

SPECIAL REQUESTS:

- It's possible to supply the levers with customised hole d1, on request and for quantities.
- It's possible to supply the levers with different surface treatments, on request and for quantities.



Art.	d	L	H	d2	d1 6H	Q	g
W701085.VM10	18	85	62	8	M10	25	145
W701105.VM12	20	105	72	10	M12	30	208
W701125.VM16	24	125	87	12	M16	40	330
W701145.VM20	30	145	97	16	M20	45	573