

W622



STEEL PROLONGED SMOOTH NOSE PLUNGER WITH HEAD

Material:

- (1) Hardened black-oxyde steel nose pin.
- (2) Turned black-oxyde steel plunger body.

Spring:

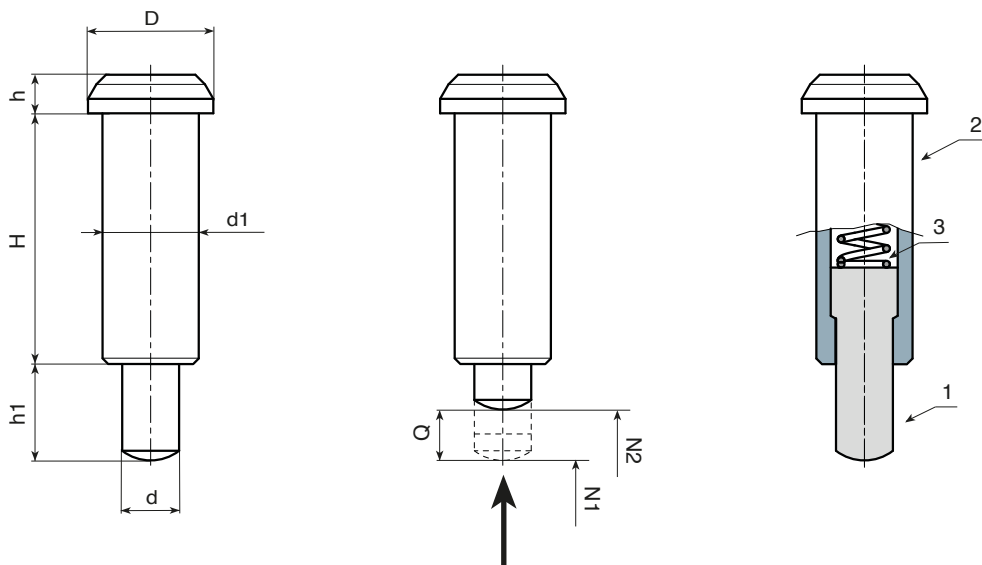
- (3) Zinc plated harmonic steel spring.

Trust type:

Normal.

SPECIAL REQUESTS:

- None.



Art.	D	H	h1	h	d	N1 (Newton)	N2 (Newton)	d1	Q	g
W622.VBD08	10	20,8	8	3,2	3,95	30	90	08	4,5	8
W622.VBD10	13	26	10	4	5,95	42	110	10	5,5	14
W622.VBD12	16	31	12	5	7,95	50	130	12	6,5	26