

STEEL THREADED GRUB SCREW WITH HEXAGON SOCKET HEAD AND FLATTENED KNURLED BALL POINT

W852



Material:

Black-oxide treated class 10.9 steel grub screw body.

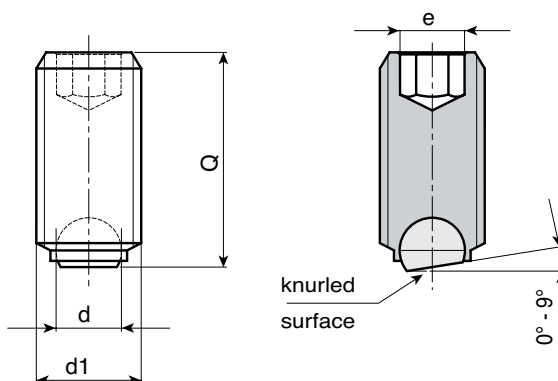
Nose Pin:

Knurled, flattened, hardened ball bearing steel ball.
Optimal angle of adaptation between 0° and 9°.
Ball is not fixed, free to rotate.

Packs containing 10 pieces.

SPECIAL REQUESTS:

- None.



Art.	d1	e	d	Q	g
W852.SBM10X..	M10	5	7	12-16-20-25-35	5-7-9-11-16
W852.SBM12X..	M12	6	8,5	16-20-30-40	10-12,5-20-28,5
W852.SBM16X..	M16	8	12	20-25-35-50	22-28-41-48

Enter the grub screw length choice in the two . . of the code .

Presumable presence in the stock in %

(☺) 90% (☹) 40% (⊖) 5% (⊕)

BOTECO® - © All right reserved - www.boteco.it

Any unauthorized reproduction is strictly forbidden



W-P - 19

W-P BALL PLUNGERS AND GRUB SCREW

ver. W-PUK.02-0913