

# W853



# STEEL THREADED GRUB SCREW WITH HEXAGON SOCKET HEAD AND FLATTENED PLASTIC END BALL POINT

**Material:**

Black-oxide treated class 10.9 steel grub screw body.

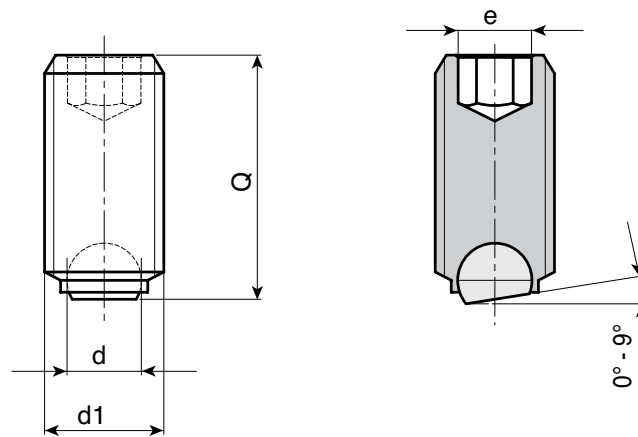
**Nose Pin:**

Flattened red plastic ball (Delrin - POM).  
Optimal angle of adaptation between 0° and 9°.  
Ball is not fixed, free to rotate.

Packs containing 10 pieces.

**SPECIAL REQUESTS:**

- None.



	Art.	d1	e	d	Q	g
⊕	W853.SBM04X..	M04	2	2,5	6-8-10-12-16	0,5-0,5-0,5-0,7-1
⊕	W853.SBM05X..	M05	2,5	3	7,5-9,5-11,5-15,5-19,5-24,5	1-1-1,5-1,5-2,5-3
⊕	W853.SBM06X..	M06	3	4	10-12-16-20-25	1,5-1,8-2,5-3-4
⊕	W853.SBM08X..	M08	4	5,5	10-12-16-20-25-30	2,5-3,5-4-5-7,5-9

Enter the grub screw length choice in the two . . of the code .

**W-P BALL PLUNGERS AND GRUB SCREW**

ver. W-PUK.02-0913



W-P - 20

Presumable presence in the stock in %

(🏭) 90% (😊) 40% (😐) 5% (☹)

www.boteco.it - © All right reserved - BOTECO®  
Any unauthorized reproduction is strictly forbidden