

STEEL WITH HEXAGON SOCKET HEAD AND BRASS POINT

W860 - W860CIN



Material:

Version W860:

Black-oxide treated class 10.9 steel grub screw body.

Version W860 CIN:

Stainless steel grub screw body (AISI 303).

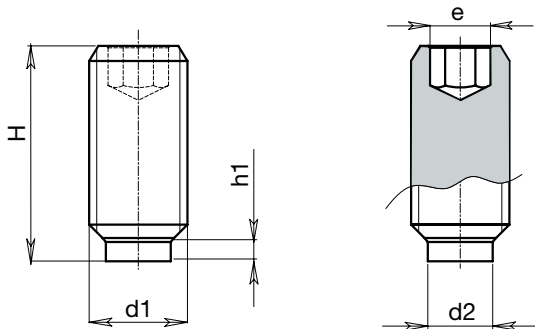
Nose Pin:

Fixed brass cylindrical point.

Packs containing 10 pieces.

SPECIAL REQUESTS:

- None.



INOX

W860 Version: in black oxide treated steel

Art.	d1	e	h1	d2	H	g
☺ W860.SBM04X..	M04	2	1,2	2,5	6,5-10,5-16,5-30,5	1-1-1,5-2
☺ W860.SBM05X..	M05	2,5	1,3	3	8,5-12,5-20,5-30,5	1-1,5-2,5-4
☺ W860.SBM06X..	M06	3	1,9	4	11,5-17,5-26,5-41,5	2-2,5-4-6,5
☺ W860.SBM08X..	M08	4	2,5	5,5	12-22-32-52	3,5-6-8,5-14
☺ W860.SBM10X..	M10	5	2,7	7	14-18-27-37-52	5,5-7-11,5-16,5-25
☺ W860.SBM12X..	M12	6	3,4	8,5	18,5-22,5-32,5-42,5-52,5	10,5-13-20-29-38

Enter the grub screw length choice in the two . . of the code .

W860 CIN Version: in stainless steel

Art.	d1	e	h1	d2	H	g
☹ W860.INM04X..CIN	M04	2	1,2	2,5	6,5-10,5-16,5	1-1-1,5
☹ W860.INM05X..CIN	M05	2,5	1,3	3	8,5-12,5-20,5	1-1,5-2,5
☹ W860.INM06X..CIN	M06	3	1,9	4	11,5-17,5-26,5	2-2,5-4
☹ W860.INM08X..CIN	M08	4	2,5	5,5	12-22-32	3,5-6-8,5
☹ W860.INM10X..CIN	M10	5	2,7	7	14-18-27-37	5,5-7-11,5-16,5
☹ W860.INM12X..CIN	M12	6	3,4	8,5	18,5-32,5-42,5	10,5-20-29

Enter the grub screw length choice in the two . . of the code .

Presumable presence in the stock in %

(☺) 90% (☹) 40% (☺) 5% (☹)

BOTECO® - © All right reserved - www.boteco.it

Any unauthorized reproduction is strictly forbidden



W-P BALL PLUNGERS AND GRUB SCREW