

Y633-Y633CIN



DIN 6332

THREADED STUDS WITH NOSE FOR THRUST PAD DIN 6311

Material:

Y633

Steel threaded stud, with slot end and case-hardened nose.

Y633CIN

Stainless steel (Aisi 303) threaded stud, with slot end and nose.

Colour:

Y633:

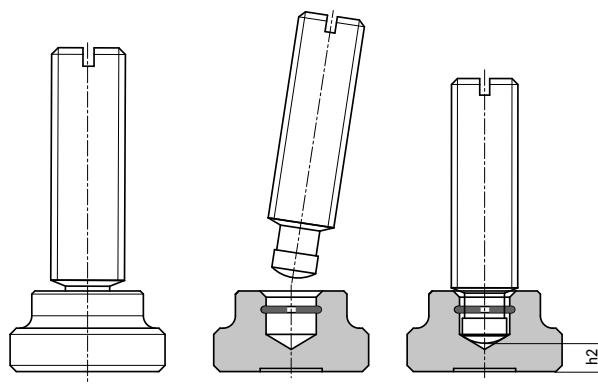
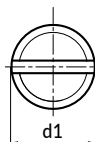
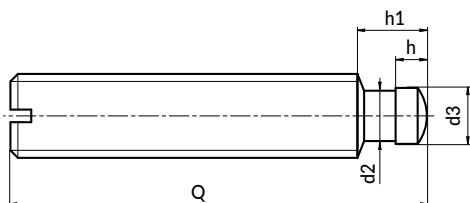
Standard black-oxide treatment.

Y633CIN:

Natural.

SPECIAL REQUESTS:

- None



	Art.	d1 6g	d2	d3	h	h1	h2	For thrust pad DIN 6311	Q	g
●	Y633.SM06X..	M06	4	4,5	2,5	6	2,2	12	30-35-40-50	4,5-5,5-6-8
●	Y633.SM08X..	M08	5,4	6	3	7,5	3	16	35-40-45-50-60	10-11-13-14-17,5
●	Y633.SM10X..	M10	7,2	8	4,5	9	3,6	20	50-55-60-65-80	22-24-27-28-30-37
●	Y633.SM12X..	M12	7,2	8	4,5	10	4,5	25	60-65-70-80-100	36,5-41-44,6-52-65
●	Y633.SM16X..	M16	11	12	5	12	5,3	32	65-70-80-100-125	77-82-99-122-154
●	Y633.SM20X..	M20	14,4	15,5	5,5	14	5,6	40	80-90-100-125-150	150-170-188-239-292

INOX

	Art.	d1 6g	d2	d3	h	h1	h2	For thrust pad DIN 6311	Q	g
●	Y633.IM06X..CIN	M06	4	4,5	2,5	6	2,2	12	30-35-40-50	4,5-5,5-6-8
●	Y633.IM08X..CIN	M08	5,4	6	3	7,5	3	16	35-40-45-50-60	10-11-13-14-17,5
●	Y633.IM10X..CIN	M10	7,2	8	4,5	9	3,6	20	50-55-60-65-80	22-24-27-28-30-37
●	Y633.IM12X..CIN	M12	7,2	8	4,5	10	4,5	25	60-65-70-80-100	36,5-41-44,6-52-65
●	Y633.IM16X..CIN	M16	11	12	5	12	5,3	32	65-70-80-100-125	77-82-99-122-154
●	Y633.SM20X..CIN	M20	14,4	15,5	5,5	14	5,6	40	80-90-100-125-150	150-170-188-239-292