

# Y705PIN-Y706PIN

## DIN 705 PIN STAINLESS STEEL LOCK NUTS

**Material:**  
Stainless steel, (Aisi 303).

**Surface finish:**  
Smooth turned.

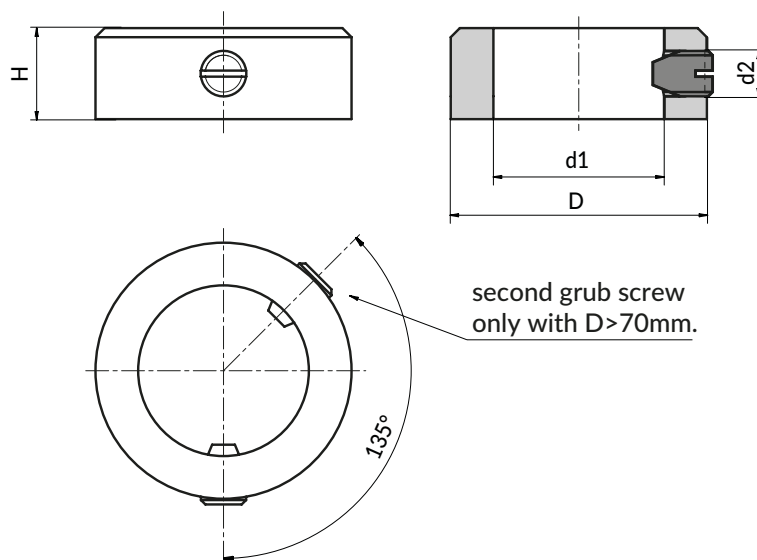
**Colour:**  
Natural

**Grub screw:**  
Y705:  
Slotted grub screw DIN 553.  
Y706:  
Hex socket head grub screw DIN 914.

**ATTENTION:** second grub screw starting from diameter D=70.

### SPECIAL REQUESTS:

- None.



Version Y705PIN: Slotted grub screw DIN 553 - Y706PIN: Hex socket grub screw DIN 914

**INOX**

Art.	Art.	D h13	H js14	d2	d1 H8	g
Y705007.IND003PIN	Y706007.IND003PIN	7	5	M2	3	1,2
Y705008.IND004PIN	Y706008.IND004PIN	8	5	M2,5	4	1,4
Y705010.IND005PIN	Y706010.IND005PIN	10	6	M3	5	2,7
Y705012.IND006PIN	Y706012.IND006PIN	12	8	M4	6	5
Y705012.IND007PIN	Y706012.IND007PIN	12	8	M4	7	5
Y705016.IND008PIN	Y706016.IND008PIN	16	8	M4	8	9
Y705018.IND009PIN	Y706018.IND009PIN	18	10	M5	9	14,5
Y705020.IND010PIN	Y706020.IND010PIN	20	10	M5	10	18
Y705020.IND011PIN	Y706020.IND011PIN	20	10	M5	11	16,5
Y705022.IND012PIN	Y706022.IND012PIN	22	12	M6	12	24
Y705025.IND014PIN	Y706025.IND014PIN	25	12	M6	14	30,5
Y705025.IND015PIN	Y706025.IND015PIN	25	12	M6	15	28
Y705028.IND016PIN	Y706028.IND016PIN	28	12	M6	16	37
Y705032.IND018PIN	Y706032.IND018PIN	32	14	M6	18	58
Y705032.IND020PIN	Y706032.IND020PIN	32	14	M6	20	52
Y705040.IND024PIN	Y706040.IND024PIN	40	16	M8	24	98



INOX

Version Y705PIN: Slotted grub screw DIN 553 - Y706PIN: Hex socket grub screw DIN 914

	Art.		Art.	D h13	H js14	d2	d1 H8	⚖ g
●	Y705040.IND025PIN	●	Y706040.IND025PIN	40	16	M8	25	94
●	Y705040.IND026PIN	●	Y706040.IND026PIN	40	16	M8	26	86,5
●	Y705045.IND028PIN	●	Y706045.IND028PIN	45	16	M8	28	120
●	Y705045.IND030PIN	●	Y706045.IND030PIN	45	16	M8	30	107
●	Y705050.IND032PIN	●	Y706050.IND032PIN	50	16	M8	32	142
●	Y705056.IND035PIN	●	Y706056.IND035PIN	56	16	M8	35	184
●	Y705056.IND036PIN	●	Y706056.IND036PIN	56	16	M8	36	177
●	Y705056.IND038PIN	●	Y706056.IND038PIN	56	16	M8	38	163
●	Y705063.IND040PIN	●	Y706063.IND040PIN	63	18	M10	40	256
●	Y705063.IND042PIN	●	Y706063.IND042PIN	63	18	M10	42	240
●	Y705070.IND045PIN	●	Y706070.IND045PIN	70	18	M10	45	313
●	Y705070.IND048PIN	●	Y706070.IND048PIN	70	18	M10	48	282
●	Y705080.IND050PIN	●	Y706080.IND050PIN	80	18	M10	50	424
●	Y705080.IND052PIN	●	Y706080.IND052PIN	80	18	M10	52	401
●	Y705080.IND055PIN	●	Y706080.IND055PIN	80	18	M10	55	367
●	Y705080.IND056PIN	●	Y706080.IND056PIN	80	18	M10	56	362
●	Y705090.IND058PIN	●	Y706090.IND058PIN	90	20	M10	58	572
●	Y705090.IND060PIN	●	Y706090.IND060PIN	90	20	M10	60	555
●	Y705090.IND063PIN	●	Y706090.IND063PIN	90	20	M10	63	498
●	Y705100.IND065PIN	●	Y706100.IND065PIN	100	20	M10	65	702
●	Y705100.IND068PIN	●	Y706100.IND068PIN	100	20	M10	68	663
●	Y705100.IND070PIN	●	Y706100.IND070PIN	100	20	M10	70	615
●	Y705110.IND072PIN	●	Y706110.IND072PIN	110	22	M12	72	938
●	Y705110.IND075PIN	●	Y706110.IND075PIN	110	22	M12	75	878
●	Y705110.IND080PIN	●	Y706110.IND080PIN	110	22	M12	80	773
●	Y705125.IND085PIN	●	Y706125.IND085PIN	125	22	M12	85	1139
●	Y705125.IND090PIN	●	Y706125.IND090PIN	125	22	M12	90	1021
●	Y705140.IND100PIN	●	Y706140.IND100PIN	140	25	M12	100	1480