

Y709

SINGLE SPLIT SHAFT COLLAR - A DESIGN



Materials (1):

Y709:

Turned free-cutting steel.

Y709PIN:

Turned stainless steel (Aisi 303).

Y709AND:

Turned aluminium (Al 6060).

Surface finish:

Fine turned.

Colour:

Y709:

Standard black-oxide treatment.

Y709PIN:

Natural.

Y709AND:

Natural.

Fixing screws (2):

Y709:

No. 1 black-oxide treated steel socket head screw, class 12.9 DIN 912

Y709PIN - Y709AND:

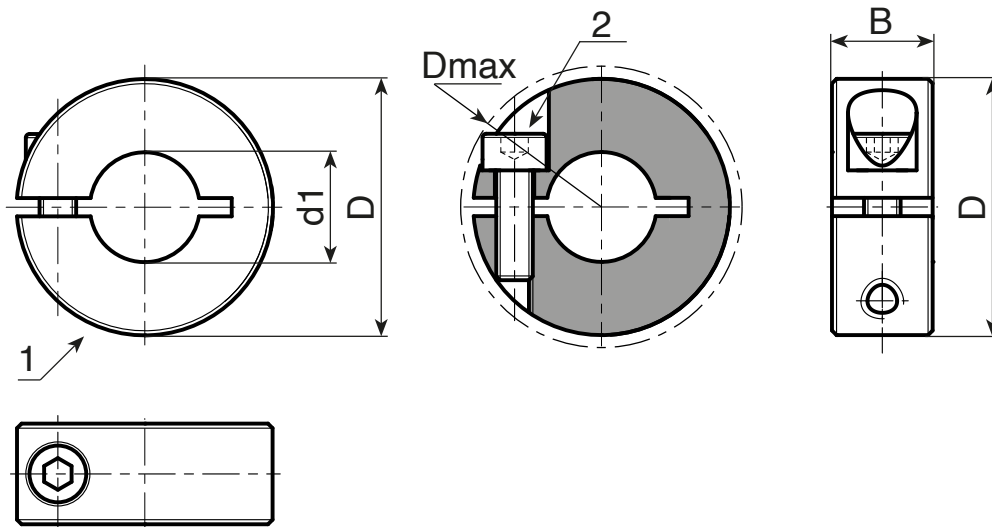
No. 1 stainless steel socket head screw (Aisi 304) DIN 912.

ATTENTION:

We recommend making the shaft with a tolerance less than h11.

Special requests:

- None.



Version Y709: Black-oxide treated steel shaft collars

Art.	D	Dmax	B	d1	DIN 912	g
Y709016.VBD04	16	20.7	9	4	M03x8	13.5
Y709016.VBD05	16	20.7	9	5	M03x8	11.5
Y709016.VBD06	16	20.7	9	6	M03x8	10.8
Y709018.VBD08	18	22.4	9	8	M03x8	12.8
Y709024.VBD10	24	26	9	10	M03x10	23
Y709028.VBD12	28	31.8	11	12	M04x12	39
Y709034.VBD15	34	39.4	13	15	M05x16	69
Y709034.VBD16	34	39.4	13	16	M05x16	65
Y709036.VBD18	36	41.1	13	18	M05x16	70.5
Y709040.VBD20	40	46.4	15	20	M06x18	103
Y709042.VBD22	42	48.1	15	22	M06x18	102
Y709045.VBD25	45	50.8	15	25	M06x18	121
Y709048.VBD28	48	53.7	15	28	M06x18	132
Y709054.VBD30	54	58.6	15	30	M06x18	174
Y709060.VBD40	60	65	15	40	M06x18	171
Y709078.VBD50	78	87	19	50	M08x25	400

Y709

SINGLE SPLIT SHAFT COLLAR - A DESIGN



INOX

Version Y709 PIN: Stainless steel (Aisi 303) shaft collars

Art.	D	Dmax	B	d1	DIN 912	g
Y709016.IND04PIN	16	20.7	9	4	M03x8	13.5
Y709016.IND05PIN	16	20.7	9	5	M03x8	11.5
Y709016.IND06PIN	16	20.7	9	6	M03x8	10.8
Y709018.IND08PIN	18	22.4	9	8	M03x8	12.8
Y709024.IND10PIN	24	26	9	10	M03x10	23
Y709028.IND12PIN	28	31.8	11	12	M04x12	39
Y709034.IND15PIN	34	39.4	13	15	M05x16	69
Y709034.IND16PIN	34	39.4	13	16	M05x16	65
Y709036.IND18PIN	36	41.1	13	18	M05x16	70.5
Y709040.IND20PIN	40	46.4	15	20	M06x18	103
Y709042.IND22PIN	42	48.1	15	22	M06x18	102
Y709045.IND25PIN	45	50.8	15	25	M06x18	121
Y709048.IND28PIN	48	53.7	15	28	M06x18	132
Y709054.IND30PIN	54	58.6	15	30	M06x18	174
Y709060.IND40PIN	60	65	15	40	M06x18	171
Y709078.IND50PIN	78	87	19	50	M08x25	400

AI

Version Y709AN: Natural aluminium shaft collars

Art.	D	Dmax	B	d1	DIN 912	g
Y709016.AND04	16	20.7	9	4	M03x8	5.2
Y709016.AND05	16	20.7	9	5	M03x8	5
Y709016.AND06	16	20.7	9	6	M03x8	4.6
Y709018.AND08	18	22.4	9	8	M03x8	5.3
Y709024.AND10	24	26	9	10	M03x10	9.2
Y709028.AND12	28	31.8	11	12	M04x12	15
Y709034.AND15	34	39.4	13	15	M05x16	27
Y709034.AND16	34	39.4	13	16	M05x16	26.5
Y709036.AND18	36	41.1	13	18	M05x16	28.5
Y709040.AND20	40	46.4	15	20	M06x18	41
Y709042.AND22	42	48.1	15	22	M06x18	42.5
Y709045.AND25	45	50.8	15	25	M06x18	45.5
Y709048.AND28	48	53.7	15	28	M06x18	50
Y709054.AND30	54	58.6	15	30	M06x18	66
Y709060.AND40	60	65	15	40	M06x18	65
Y709078.AND50	78	87	19	50	M08x25	150