



1-079 Kompressions-Drehriegel Pr20.1



Benefits:

- ▶ Compression 6mm.
- ▶ Vibration-proof.
- ▶ RH and LH version.
- ▶ The coloured marking on the casing top indicates the opened/closed position in form of a padlock.
- ▶ IP 65/67 according to DIN EN 60529.
- ▶ The H-dimension can be varied via the cranking of the cams.
- ▶ Can be tool-less readjusted at any time (compressed sealing).
- ▶ Grounding by grounding nut.

Material:

- ▶ **Housing, insert:** zinc die, chrome plated glossy
- ▶ **Threaded square rod:** steel, zinc plated
- ▶ **Grounding nut:** zinc die

The cam can be varied to axis via catch with thumb wheel adjustment 2-151.02SL.

1. = Foamed sealing PUR



Compression latch, long threaded square rod

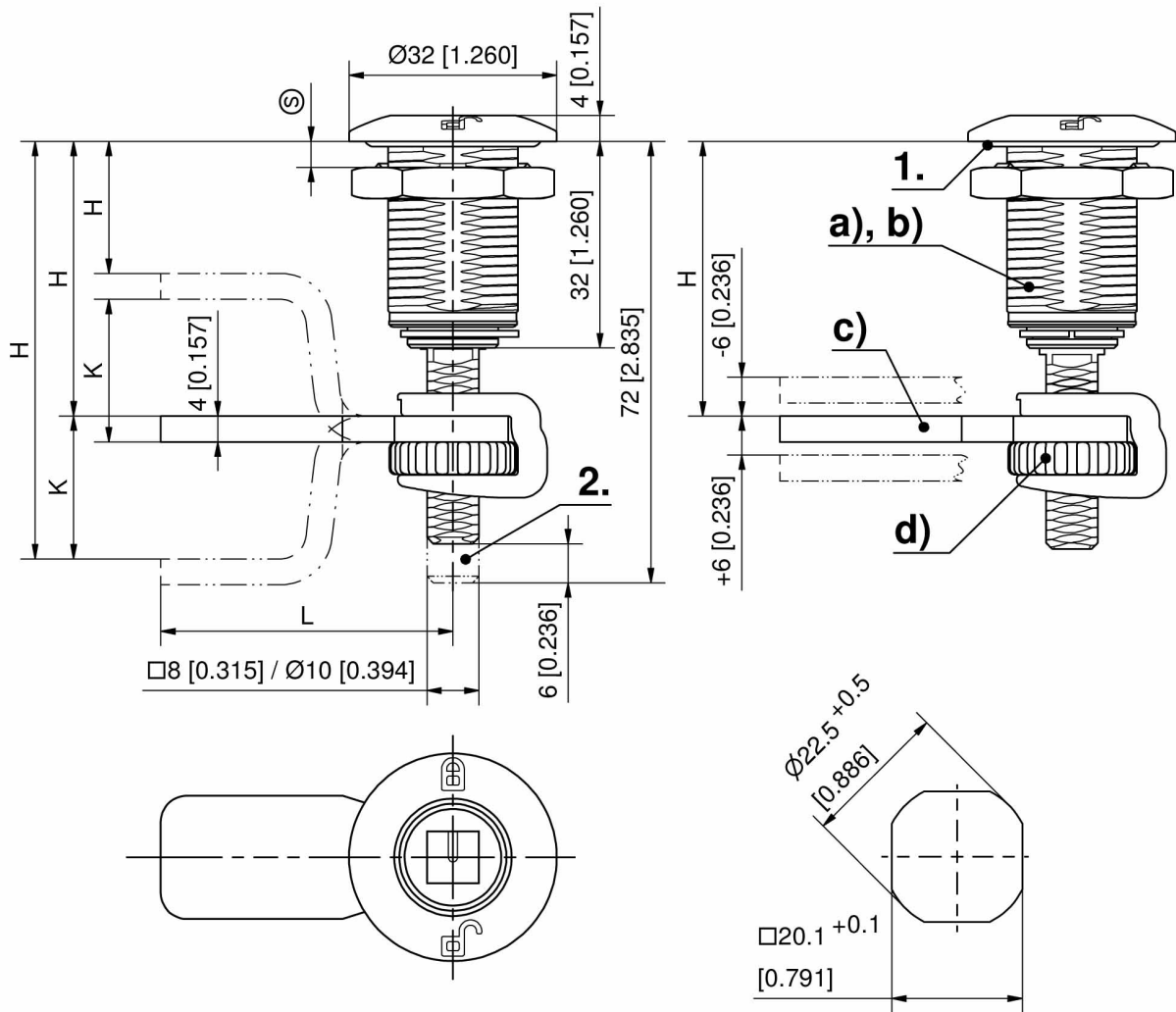
	Part Number	Insert	Door-thickness	Version	Compression	variable H-dimension	Construction depth
a)	248-9802.01-11201	Square 8mm	max.22mm	RH	6 mm	17 - 73 mm	69 mm
a)	248-9803.01-11201	Double bit 3mm pin	max.22mm	RH	6 mm	17 - 73 mm	69 mm
a)	248-9804.01-11201	Double bit 5mm pin	max.22mm	RH	6 mm	17 - 73 mm	69 mm
a)	248-9807.01-11201	Triangular 8mm	max.22mm	RH	6 mm	17 - 73 mm	69 mm
a)	248-9808.01-11201	Conical square 9mm	max.22mm	RH	6 mm	17 - 73 mm	69 mm
b)	248-9802.01-12201	Square 8mm	max.22mm	LH	6 mm	17 - 73 mm	69 mm
b)	248-9803.01-12201	Double bit 3mm pin	max.22mm	LH	6 mm	17 - 73 mm	69 mm
b)	248-9804.01-12201	Double bit 5mm pin	max.22mm	LH	6 mm	17 - 73 mm	69 mm
b)	248-9807.01-12201	Triangular 8mm	max.22mm	LH	6 mm	17 - 73 mm	69 mm
b)	248-9808.01-12201	Conical square 9mm	max.22mm	LH	6 mm	17 - 73 mm	69 mm

d)

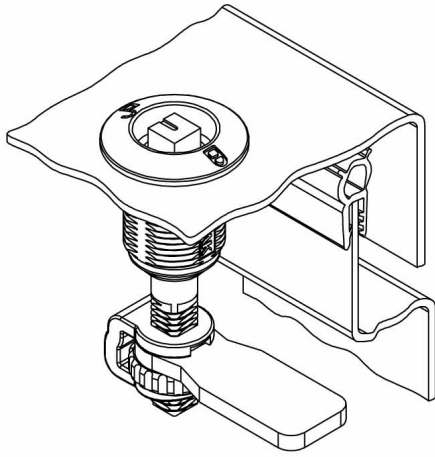
c)

Complementary Products:

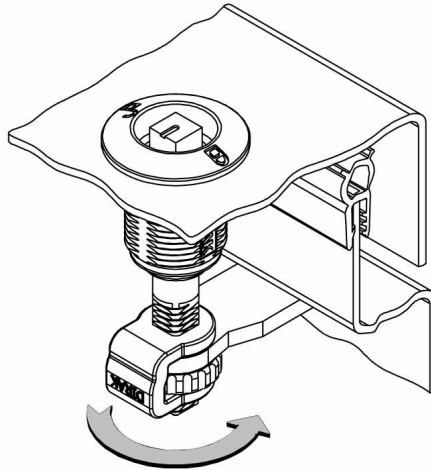
2-151.02SL	Catch for standard Cams
1-102.01	Cams L45 without Ramp and Stop
6-100	Key
200-4601.00-00000	Anti-rotation Device
200-4601.02-00000	Anti-rotation Device
200-4103.00-00000	Dust cap



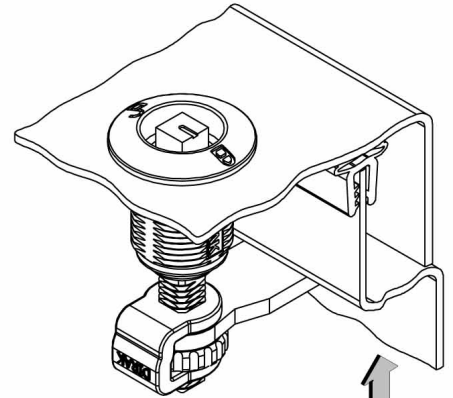
Operation



open, unlatched position



First 90° rotation: the cam latches behind the frame into the locked position. The door cannot be opened.



A further 90° rotation will pull the already latched cam towards the frame around 6mm [0.236]: the seal is compressed, the door is latched and free of play.