



1-081 Compression Latch Pr20.1



for cutout 20.1

Benefits:

- ▶ HD Compression Latch with 6.5mm compression.
- ▶ RH or LH application.
- ▶ Vibration-proof.
- ▶ This Quarter-turn consists of three basic parts which can be combined to suit your application.
- ▶ By turning the insert 90° the cam is at first put into closed position.
- ▶ By turning a further 90°, the cam will be pulled towards the frame.
- ▶ Matching dots mark the final position (see lower drawing).
- ▶ The H-dimension can be easily adjusted by the adjusting screw.
- ▶ Water- and dust-tight according to IP65 DIN EN 60529.
- ▶ Typical assembling please refer to Instruction 4.

Material:

- a) and a')
 - ▶ **Housing:** zinc die, chrome plated or black
- b)
 - ▶ **Insert:** brass, chrome plated, zinc die, black or chrome plated
 - ▶ **Drip handle:** zinc die, black
 - ▶ **Spring:** stainless steel
- c)
 - ▶ **Cam:** zinc die, chrome plated
 - ▶ **Adjusting screw:** steel, zinc plated
 - ▶ **Nut:** steel, zinc plated

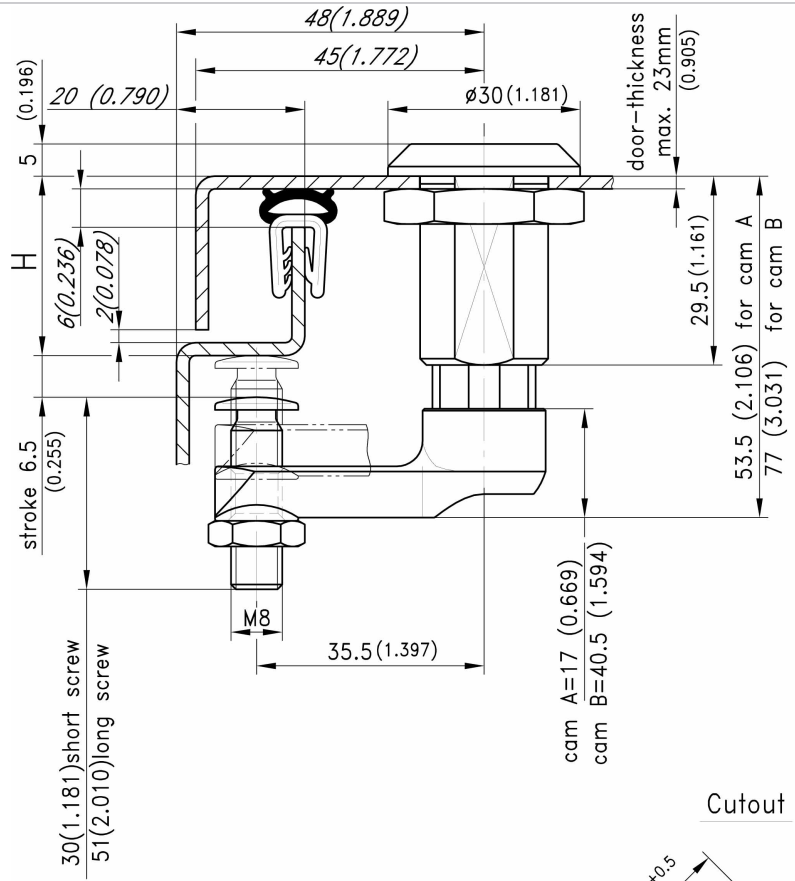


Compression latch

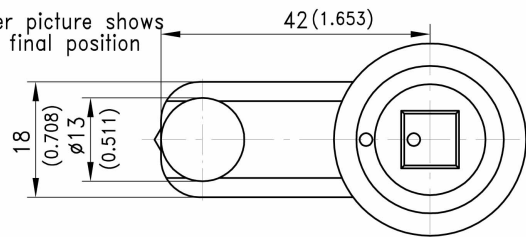
	Part Number	Door-thickness	Material	Surface	Grounding type	Installation type	Version	Compression	Closing stroke
a)	100-9001.00-00000	max.22mm	zinc die	chrome plated		screw-on	chrome plated	6,5 mm	clockwise
a)	100-9002.00-00000	max.22mm	zinc die	chrome plated	Grounding nut	screw-on	chrome plated	6,5 mm	clockwise
a)	100-9013.00-00000	max.22mm	zinc die	chrome plated	Grounding nut	screw-on	chrome plated	6,5 mm	counter clockwise
a1)	100-9014.00-00000	max.22mm	zinc die	black	Grounding nut	screw-on	black	6,5 mm	clockwise
a1)	100-9015.00-00000	max.22mm	zinc die	black	Grounding nut	screw-on	black	6,5 mm	counter clockwise

Complementary Products:

b)	100-9104.00-00000	Insert square 7mm
b)	100-9105.00-00000	Insert square 8mm
b)	100-9106.00-00000	Insert triangular 7mm
b)	100-9107.00-00000	Triangular 8mm
b)	220-9103.00-00000	slotted recessed (coinproof)
b)	220-9102.00-00000	Square 6mm
b)	220-9101.00-00000	Triangular 6.5mm
b)	100-9109.00-00000	slotted Insert 2x4mm
b)	100-9110.00-00000	Drop handle
b)	100-9111.00-00000	Drop handle
b)	100-9132.00-00000	Insert hex. SW 7/16"
b)	100-9114.00-00000	Insert socket hex. 8mm (5/16")
b)	100-9123.00-00000	Insert socket hex. 8mm (5/16")
c)	1-081	Cams
d)	200-0064.00-00000	Assembling (must be ordered)
	200-0070.00-00000	Assembling drip handle 90° door LH
	200-0071.00-00000	Assembling drip handle 90° door RH



lower picture shows the final position



Cutout

