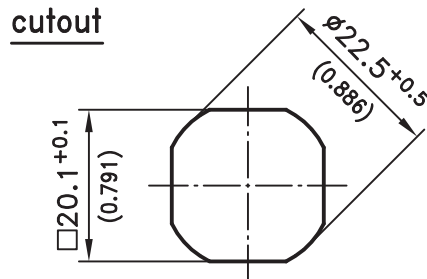
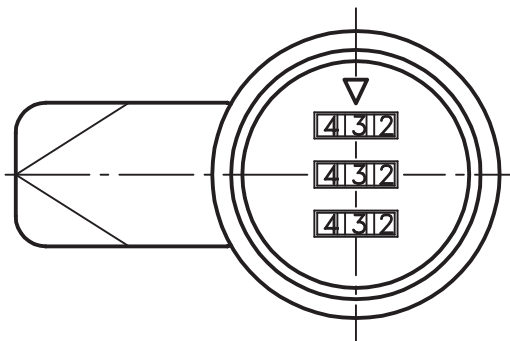
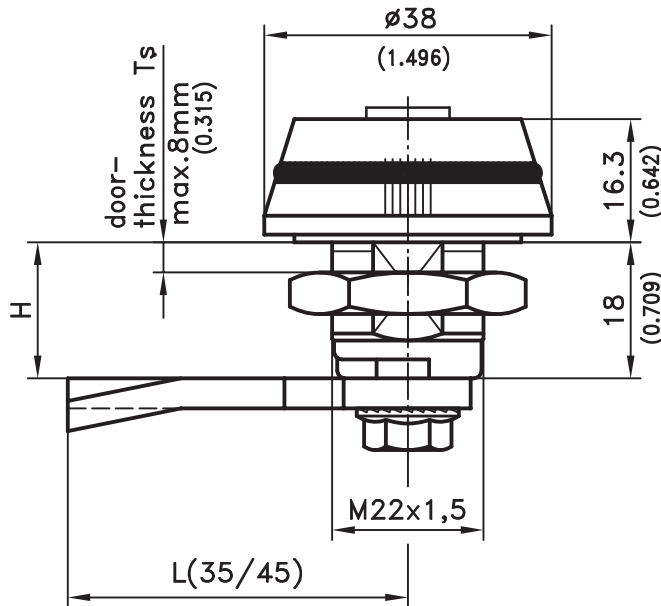


1-125 Quarter-Turn with Combination Lock Pr20.1 L18



Quarter-Turn with 90° rotation.

- RH or LH application.
- A pre-assembled Quarter-Turn can be installed in the cutout.
- O-Ring on handle improves grip.
- Water- and dust-tight according to IP65
- EN 60529.
- For combination set or reset please refer to enclosed instructions.
- For longer housings (different cutout) please refer to product system 1-650.

Material:

- **Handle and housing:** zinc die, chrome plated or black coated
- **Cam:** steel, zinc plated
- **O-Ring:** NBR (Nitril)

| | zinc die, chrome plated | zinc die, black coated |
|-------------------------------|-------------------------|------------------------|
| Quarter-Turn (without cam) | 100-9301 | 100-9302 |
| cams see product system 1-100 | | |

| | |
|---------------|----------|
| Assembling RH | 200-0019 |
| Assembling LH | 200-0020 |

12/15/08

© copyright by DIRAK / Germany

